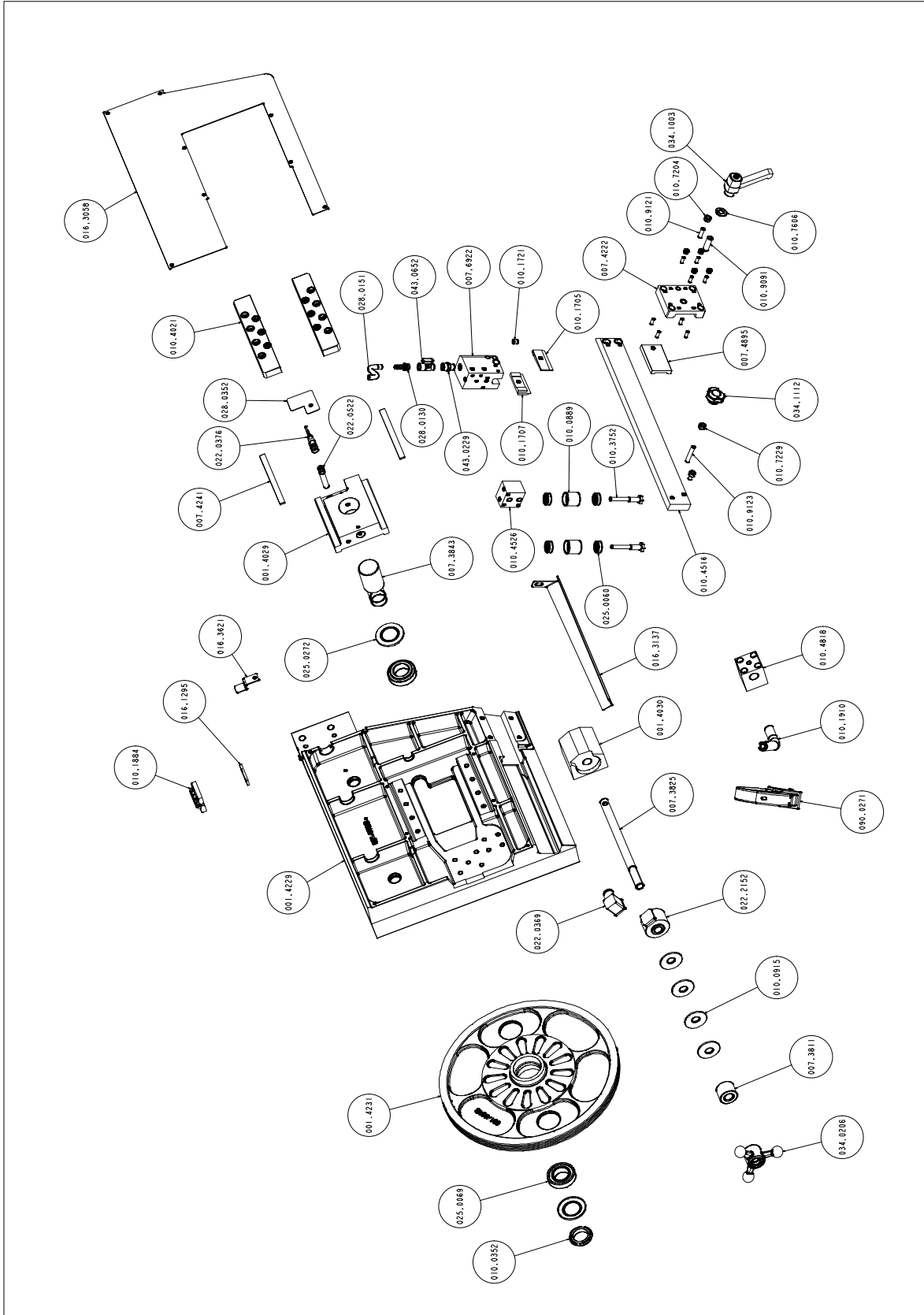


Explosietekeningen

In het nu volgende deel zijn de explosietekeningen van de machine opgenomen. De tekeningen met hun volledige details kunnen helpen de machine beter te leren kennen.

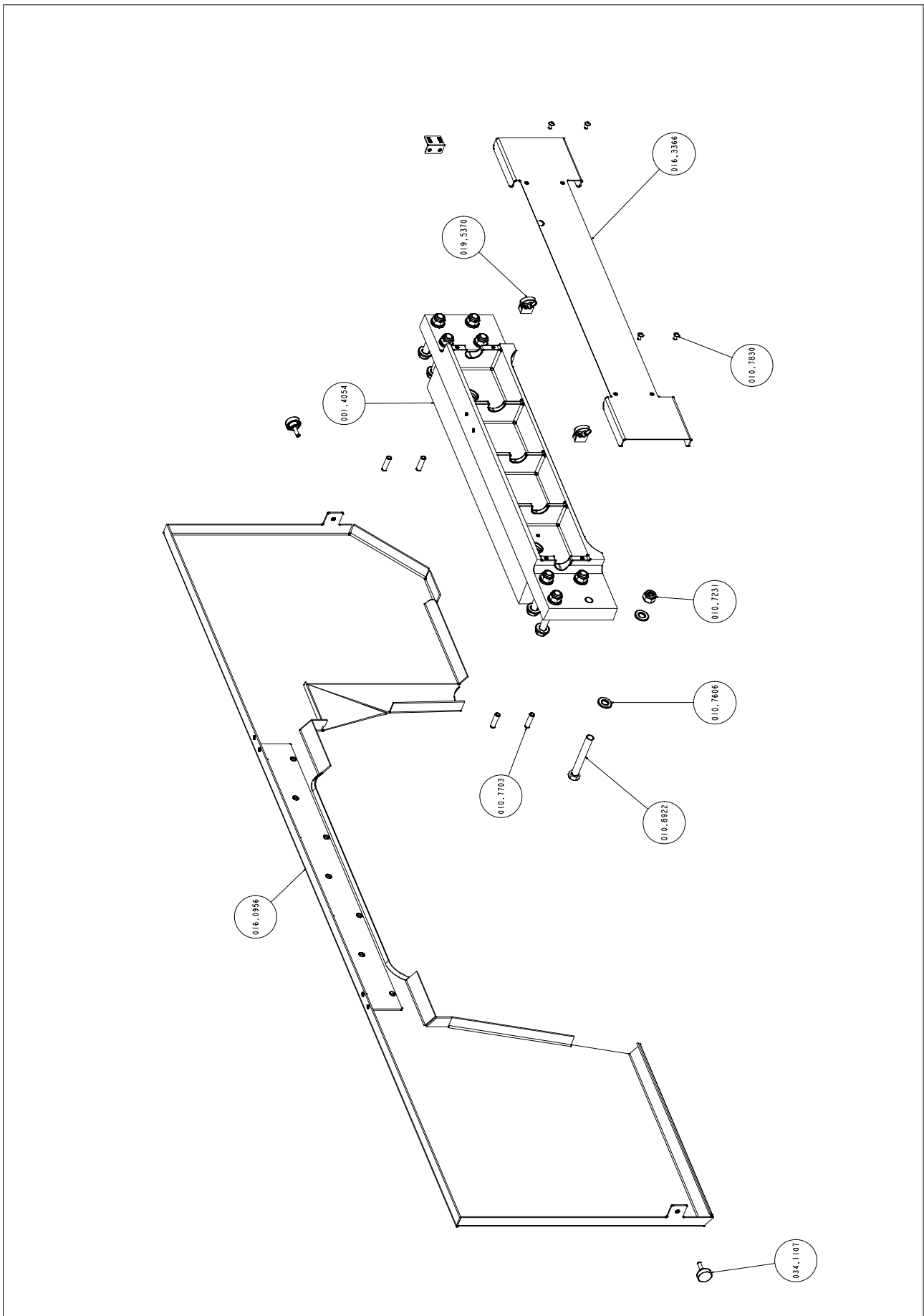
Doorsnede loopwiel



Art. NR.	Benaming	Description	Hoevee lheid
001.4029	SLITTA TENDILAMA ARCHETTO MOD. 1226	SLIDE MOD. 1226	1,000
001.4030	SUPPORTO TENSIONAMENTO LAMA ELETT. MOD.1403	SUPPORT MOD.1403	1,000
001.4229	ARCHETTO SEZIONE PULEGGIA FOLLE SH 332	IDLER WHEEL BOW SH 332 "15"	1,000
001.4231	PULEGGIA FOLLE ARCHETTO SH 332 "15"	BOW IDLER WHEEL SH 332 "15"	1,000
007.3811	DISTANZIALE VOLANTINO	WHEEL SPACER	1,000
007.3825	PERNO REGISTRO TENSIONAMENTO LAMA	BAND TENSION REGISTER PIN	1,000
007.3843	ALBERO VOLANO LIBERO SH N.T.	IDLER WHEEL SHAFT SH N.S.	1,000
007.4222	STAFFA BLOCCAGGIO GUIDA TESTINA SH 332	LOCKING BRACKET SH 332	1,000
007.4241	LARDONE SLITTA TENDILAMA	BAND GUIDE SLIDE GIB	2,000
007.4895	LARDONE TESTINA SH 332	GIB HEAD	1,000
007.6922	TESTINA GUIDALAMA ANTERIORE SH 332-382	FRONT HEAD GUIDING BLADE SH 332-382	1,000
010.0352	GHIERA AUTOBLOCCANTE 35X1,5	SELF-LOCKING RING NUT 35X1,5	1,000
010.0889	RULLO PREMILAMA SH 230 NC HS	BAND PUSHER ROLLER SH 230 NC HS	1,000
010.0915	MOLLA A TAZZA 50X18,4X3	BELLEVILLE SPRING WASHERS 50X18,4X3	4,000
010.1705	GUIDALAMA 1 INSERTO ANTERIORE	1 INSERT FRONT BAND GUIDE	1,000
010.1707	GUIDALAMA 2 INSERTI ANTERIORE	2 INSERTS FRONT BAND GUIDE	1,000
010.1721	PREMILAMA SHARK	TOP CARBIDE SHARK	1,000
010.1884	CERNIERA X PROTEZIONE VW-18	PROTEC.HINGE VW-18CFA-49 CH5	1,000
010.1910	LEVA COMANDO TESTA BT	BT LEVER SH 320	1,000
010.3752	PERNO ECCENTRICO CUSCINETTI PREMILAMA	BLADEPUSHER BEARING ECCENTRIC PIN SH230	1,000
010.4021	PIASTRA REGOLAZIONE SLITTA LARDONE	GIB SLIDE ADJUSTMENT PLATE	2,000
010.4516	SUPPORTO TESTINA ANT. SH 331-332-382	FRONT HEAD SUPPORT	1,000
010.4526	SUPPORTO RULLI TESTINA GUID. MOBILE	MOBILE ROLLER SUPPORT HEAD BLADE GUIDE	1,000
010.4818	SUPPORTO LEVA COMANDO TESTA SH 332	SUPPORT LEVER HEAD	1,000
010.7204	DADO M8	M8 SCREW NUT	1,000
010.7229	DADO AUTOBLOCCANTE M8	M8 SELF-LOCKING SCREW NUT	1,000
010.7606	RONDELLA 0 12	0 12 WASHER	1,000
010.9091	GRANO VCE PUNTA PIANA 12 X 35	12 X 35 FLAT POINT GRUB SCREW	1,000
010.9121	GRANO VCE PUNTA PIANA 8 X 25	8X25 FLAT POINT GRUB SCREW	1,000
010.9123	GRANO VCE PUNTA PIANA 8 X 45	8X45 FLAT POINT GRUB SCREW	1,000
016.1295	PIASTRINO SPESSORE CERNIERA SPM SH 332	HINGE PLATE THICKNESS	1,000
016.3058	CARTER POSTERIORE SPF SH 332	REAR CARTER	1,000
016.3137	PROTEZIONE LAMA ANTERIORE SH 331-332-382	FRONT BAND GUARD SH 331-332-382	1,000
016.3621	STAFFA DI FERMO SH 332-382	LOCKING BRACKET SH 332-382	1,000
022.0369	CONNETTORE PER BOBINA U2 E TENSIONATORETRSA/3T.00	CONNECTOR F.U2 COIL AND TENSIONER	1,000
022.0376	CONNETTORE 90° M12 CON 5 MT. CAVO 4X0,5PER PROSSIMITY	CONNECTOR FOR PROXIMITY	1,000
022.0522	SENSORE PROSSIMITA' PNP X AX-NCEVO	PROXIMITY PNP AX	1,000
022.2152	TENSIONATORE ELETTRONICO TRSA/3T.00	ELECTRONIC TENSIONER TRSA/3T.00	1,000
025.0060	CUSCINETTO 6000 2Z	BEARING 6000 2Z	1,000
025.0069	CUSCINETTO 32007X	BEARING 32007X	2,000
025.0272	ANELLO DI PROTEZIONE NILOS 32007	NILOS SEAL RING 32007	2,000
028.0130	RACCORDO 1/4-9 CL 2601	JOINT 1/4-9 CL 2601	1,000
028.0151	TUBO PLASTIFICATO 07-11	PLASTIC HOSE 07-11	1,000
028.0352	PROTEZIONE GOMMA SLITTA TENDILAMA	RUBBER GUARD	1,000
034.0206	VOLANTINO TENSIONAMENTO LAMA	BAND TENSIONING HANDWHEEL	1,000
034.1003	LEVA A SCATTO 12 MA	LEVER 12 MA	1,000
034.1112	VOLANTINO O 40M8 X PIEDISTALLO	O 40 M8 HANDWHEEL X STEEL BASE	1,000
043.0229	RIDUZIONE MF 1/4 - CL 2520	MF 1/4 - CL 2520 REDUCTION	1,000
043.0652	RUBINETTO 1/4 F.M.	1/4 F. M. TAP	1,000
090.0271	IMPUGNATURA COMPLETA TIPO MEP	COMPLETE MEP HANDLE	1,000

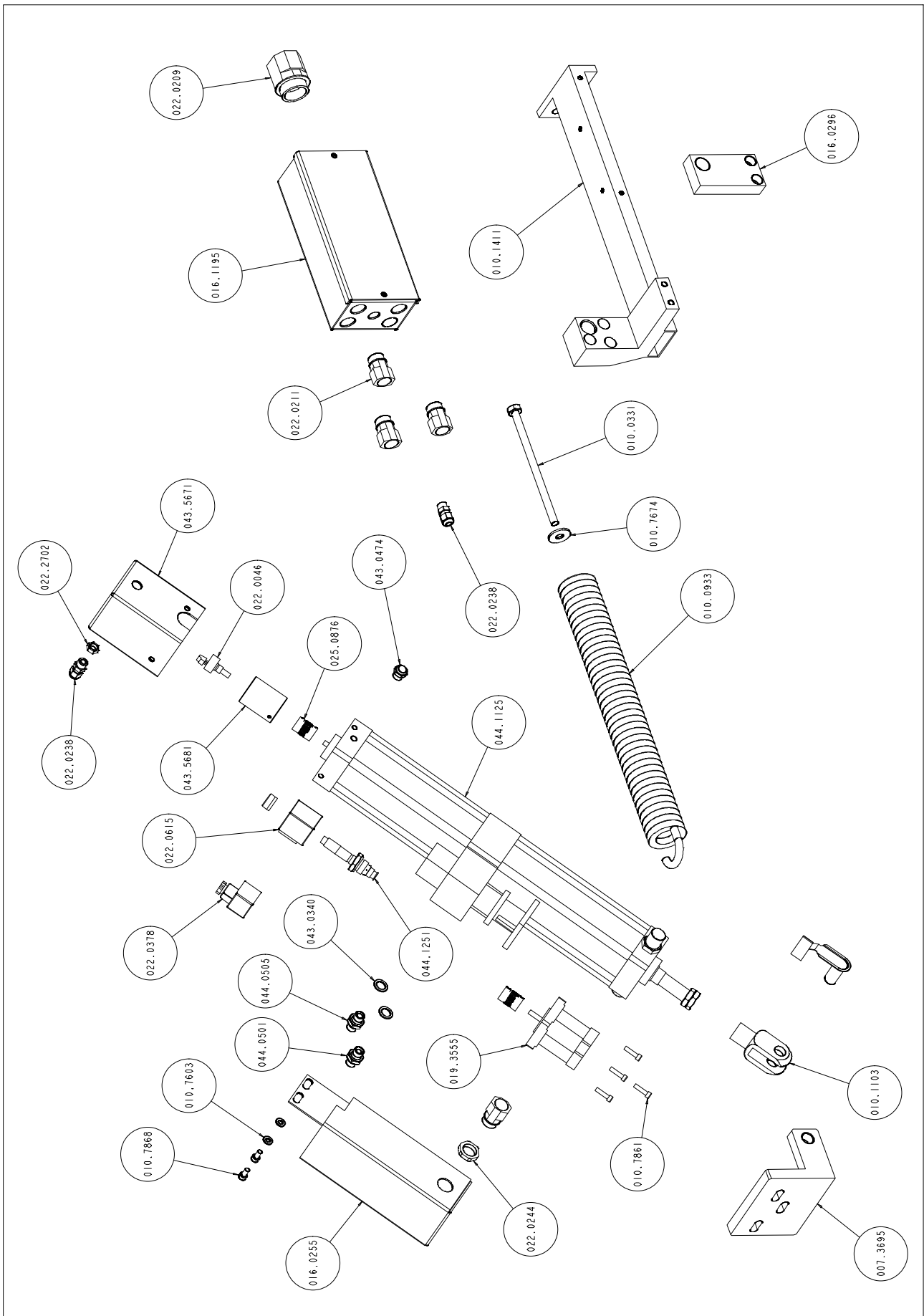
Art. NR.	Benaming	Description	Hoeveelheid
001.4228	ARCHETTO SEZIONE PULEGGIA MOTRICE	BOW SH 320/330 WITHOUT REDUCER	1,000
001.4230	PULEGGIA MOTRICE SH 332 "15" MOD.1422	MOTOR WHEEL SH 332 "15"	1,000
007.3770	SUPPORTO TESTINA POSTERIORE SH 320 60	REAR HEAD SUPPORT SH 320 60	1,000
007.3813	DISTANZIALE ARCHETTO SH	BOW SPACER SH	1,000
007.3822	PERNO SUPPORTO SNODO TESTA SH 260-280-282-292-320-332	HEAD PIVOT SUPPORT PIN SH 260-280-320	1,000
007.3828	BOCCOLA BATTUTA FINECORSIA SH320-332	LIMIT STROKE BUSHING SH 320	1,000
007.4142	SQUADRETTO PER LIQUIDO SH 282-292- 320-330-332-H-14A	PLATE SH 320-330-H-14A	1,000
007.5137	DISTANZIALE CUSCINETTO SNODO TESTA	DISTANCE HEAD BEARING JOINT	1,000
007.5139	DISTANZIALE ARCHETTO SENSORE RFID SH 332	BOW DISTANCE SENSOR	1,000
007.6923	TESTINA GUIDALAMA POSTERIORE SH 332-382	REAR HEAD GUIDING BLADE SH 332-382	1,000
010.0355	GHIERA AUTOBLOCCANTE 25X1,5 TI SH 260-FC	SELF-LOCKING RING NUT 25X1,5 TI- SH260-FC	1,000
010.0361	GHIERA DI PRECISIONE 45X1,5	PRECISION RING NUT 45X1,5	1,000
010.0375	GHIERA ALBERO RIDUTTORE SH 332-330	LOCKNUT FOR DRIVE SHAFT SH 332- 330	1,000
010.0934	MOLLA X PULILAMA SH N.T.	BAND BRUSHES SPRING SH N.T.	1,000
010.1704	GUIDALAMA 1 INSERTO POSTERIORE SH N.T.	1 INSERT REAR BAND GUIDE SH N.S.	1,000
010.1706	GUIDALAMA 2 INSERTI POSTERIORE SH N.T.	2 INSERTS RAER BAND GUIDE SH N.S.	1,000
010.1721	PREMILAMA SHARK	TOP CARBIDE SHARK	1,000
010.1801	CHIUSURA LEVA -D- ZINCATA SH	-D- ZINC LEVER CLOSURE SH	1,000
010.1884	CERNIERA X PROTEZIONE VW-18	PROTEC.HINGE VW-18CFA-49 CH5	1,000
010.2180	ALBERO RIDUTTORE TAGLIA 75 SH 332	DRIVE SHAFT	1,000
010.2208	PORTASPAZZOLA PULILAMA	BAND BRUSH HOLDER	1,000
010.3155	STAFFA FIX SPAZZOLA PULILAMA	FIX. BRACKET SH260-280-320-330HH	1,000
010.7010	ANELLO SEEGER 0 45	0 45 SEEGER RING	1,000
016.1295	PIASTRINO SPESSORE CERNIERA SPM SH 332	HINGE PLATE THICKNESS	1,000
016.1704	PROTEZIONE LAMA POST.SH 320-330-331-332	REAR BAND GUARD SH 320-330-331-332	1,000
016.3057	CARTER POSTERIORE SPM SH 332	REAR CARTER	1,000
016.3621	STAFFA DI FERMO SH 332-382	LOCKING BRACKET SH 332-382	1,000
019.3621	KW 2,2 M90L4P.B14V.230-400.50/255-440.60	KW 2,2 M90L4P.B14V.230-400.50/255-440.60	1,000
022.0211	RACCORDO RAPIDO SEM PG 13,5	RAPID JOINT SEM PG 13,5	1,000
022.0217	RIDUZIONE PG 16-M PG 13,5-F	REDUCTION	1,000
022.0244	CONTRODADO 3217B GRIGIO PG 13,5	LOCK NUT 3217B GREY PG 13,5	1,000
022.2758	RACCORDO RAPIDO SEM PG 13,5 AD 21,2	RAPID JOINT SEM PG 13,5 AD 21,2	1,000
022.4008	SENSORE DI SICUREZZA RFID ST DD420MK- D1T	SAFETY SENSORS WITH RFID TECHNO- LOGY	1,000
025.0075	CUSCINETTO 32009X	BEARING 32009X	1,000
025.0089	CUSCINETTO 3307 A2RS	BEARING 3307 A2RS	1,000
025.0225	ANELLO TENUTA OR 171-68,26	O RING 171-68,26	1,000
025.0238	ANELLO DI TENUTA OR 149-44,45X3,53	O RING 149-44,45X3,53	1,000
025.0275	ANELLO DI PROTEZIONE NILOS 32009X	NILOS GUARD RING 32009X	1,000
025.0552	SPAZZOLA PULILAMA SHARK 6X25X50	BAND BRUSH 6X25 030 SHARK	1,000
025.0625	GUARNIZIONE MOTORE SH 310-320-330	MOTOR GASKET SH 310-320-330	1,000
025.0730	RIDUTTORE FCNDKO75/RATIO=40:1,90 B14	GEARBOX FCNDKO75/RATIO=40:1,90 B14	1,000
025.0803	BOCCOLA GRAFITATA L. 10 DIAM. 6	GRAPHITIZED BUSHING L. 10 DIA M. 6	1,000
025.0861	CALETTATORE 0 35X60	CONNECTOR 0 35X60	1,000
028.0121	RACCORDO 3/8-17 CL 2601	JOINT 3/8-17 CL 2601	1,000
028.0130	RACCORDO 1/4-9 CL 2601	JOINT 1/4-9 CL 2601	1,000
034.0427	COPERCHIO RIDUTTORE FCNDKO75	FCNDKO75 SAFETY CAP	1,000
043.0219	RACCORDO A -T- MFF 1/4 POL. CL-2070 310I	MFF 1/4" CL-2070 310I T JOINT	1,000
043.0229	RIDUZIONE MF 1/4 - CL 2520	MF 1/4 - CL 2520 REDUCTION	1,000
043.0260	TAPPO TTE4 1/4 - CL 2611	1/4 TAP TTE4	1,000
043.0340	RONDELLA RAME 13X19X1,5-1/4	COPPER WASHER 13X19X1,5-1/4	6,000
043.0652	RUBINETTO 1/4 F.M.	1/4 F. M. TAP	1,000

Afdekking zaagbeugel



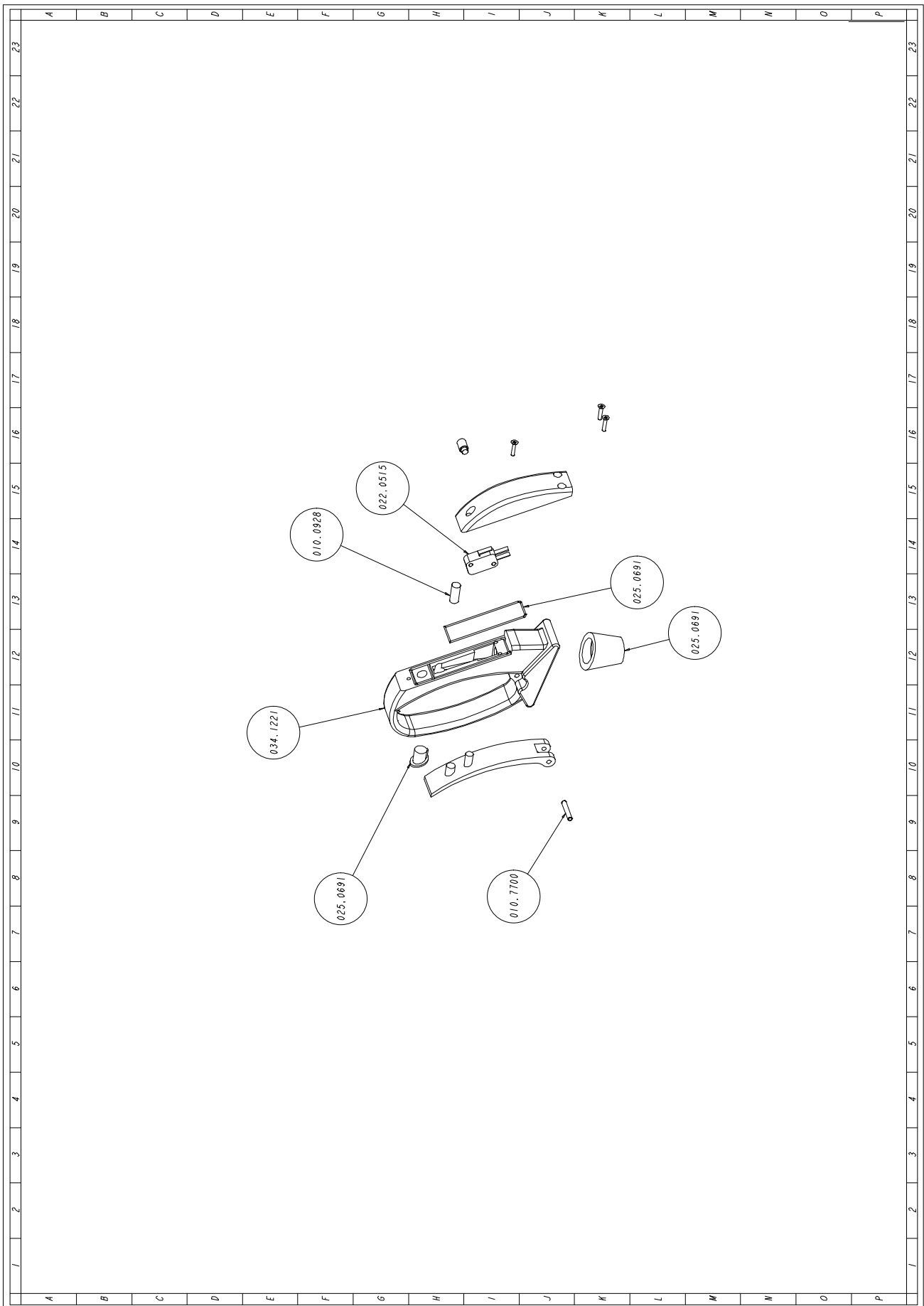
Art. NR.	Benaming	Description	Hoeve lheid
001.4054	TRAVE ARCHETTO SH 382 N.T. MOD.	BOW BEAM SH 382 N.T. MOD.	1,000
010.7231	DADO AUTOBLOCCANTE M12	M12 SELF-LOCKING SCREW NUT	1,000
010.7606	RONDELLA 0 12	0 12 WASHER	1,000
010.7703	SPINA CILINDRICA DIAM. 8 X 30	CYLINDRICAL PIN DIAM. 8 X 30	1,000
010.7830	VITE BUTON 5 X 10	5 X 10 BUTON SCREW	1,000
010.8922	VITE TE 12 X 90	12 X90 TE SCREW	1,000
016.0956	COPERCHIO ARCHETTO N.T. SH 382	BOW COVER SH 382	1,000
016.3366	CARTER POSTERIORE TRAVE SH 382	REAR CARTER BEAM	1,000
019.5370	FASCETTA LEGRAND ART.31900 FIX. A VITE	LEGRAND CLAMP ART.31900	1,000
034.1107	VOLANTINO O 30 M6 X 20	O 30 M6 X 20 HANDWHEEL	2,000

Cilindergroep



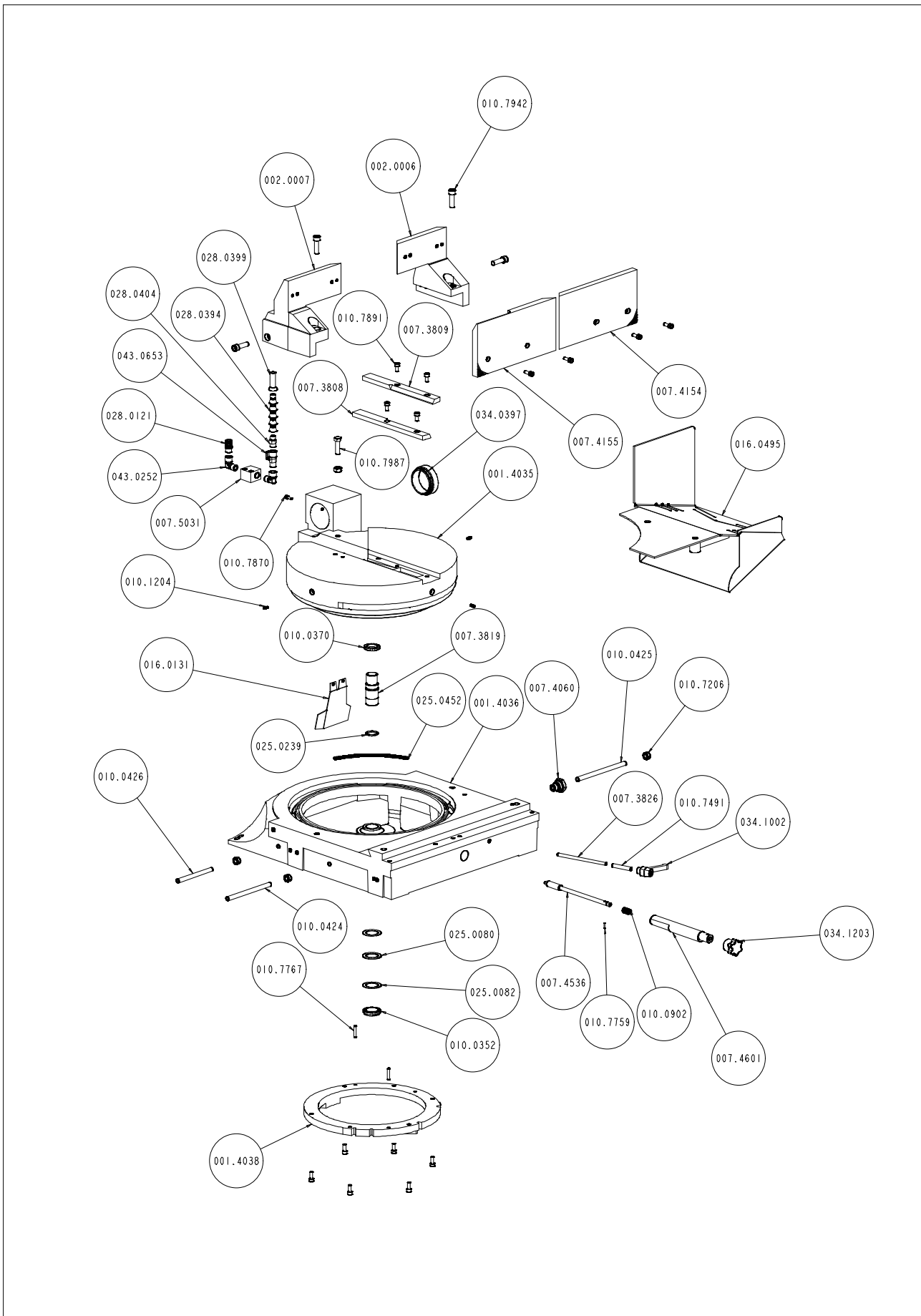
Art. NR.	Benaming	Description	Hoeve lheid
007.3695	STAFFA AGGANCIO MOLLA E CILINDRO SH 332	SPRING AND CYLINDER COUPLING BRACKET	1,000
010.0331	VITE T.E. M10 X 180 TUTTO FILETTO	TE SCREW M10X180 SH 400	1,000
010.0933	MOLLA RICHIAMO TESTA	HEAD RETURN SPRING	1,000
010.1103	FORCELLA 16 X 1,5	16 X 1,5 FORK	1,000
010.1411	STAFFA SUPPORTO CILINDRO SH 332-382	CYLINDER SUPP. BRACKET SH 332-382	1,000
010.7603	RONDELLA 0 6	0 6 WASHER	2,000
010.7674	RONDELLA SPESSORE DIAM.10,5X30	THICKNESS WASHER DIAM. 10,5 X 30	1,000
010.7861	VITE TCEI 5 X 20	TCEI 5 X 20 SCREW	4,000
010.7868	VITE TCEI 6 X 12	TCEI 6 X 12 SCREW	2,000
016.0255	PROTEZIONE CILINDRO SH CNCFE	CYLINDER GUARD SH CNCFE	1,000
016.0296	STAFFA ESTERNA CILINDRO	OUTER CYLINDER BRACKET SH	1,000
016.1195	SCATOLA DI DERIVAZIONE	BOX FOR WIRING CONNECTION ON	1,000
019.3555	MOTORE FL57STH76-2804A-12 X CILINDRO	MOTOR F257STH76-2804 FOR CYLINDER	1,000
022.0046	POTENZIOMETRO 6639S-001-202	6639S-001-202 POTENTIOMETER	1,000
022.0209	RACCORDO RAPIDO SEM 29 ART.3800296	RAPID JOINT SEM 29	1,000
022.0211	RACCORDO RAPIDO SEM PG 13,5	RAPID JOINT SEM PG 13,5	4,000
022.0238	PRESSACAVO PG 7 BS01	CABLE PRESSER PG 7 BS01	2,000
022.0244	CONTRODADO 3217B GRIGIO PG 13,5	LOCK NUT 3217B GREY PG 13,5	1,000
022.0378	CONNETTORE V.1406 X BOBINA RAC VALVOLARIGENERATRICE	CONNECTOR F.REGENERATOR VALVE COIL	1,000
022.0615	BOBINA V24 RAC X VALVOLA RIGENERATRICECILINDRO	COIL FOR CYLINDER VALVE SH 310 SX	1,000
022.2702	DADO PG 7 BL01	NUT PG 7 BL01	1,000
025.0876	GIUNTO WA 6-6.35 MM.28 X CILINDRO	JOINT WA 6-6.35 M M.28 FOR CYLINDER	2,000
043.0340	RONDELLA RAME 13X19X1,5-1/4	COPPER WASHER 13X19X1,5-1/4	2,000
043.0474	SILENZIATORE IN OTTONE 1/4'	"1/4" BRASS SILENCER"	1,000
043.5671	PROTEZIONE POTENZIOMETRO CILINDRO	GUARD F.CYLINDER POTENTIOMETER	1,000
043.5681	SUPPORTO POTENZIOMETRO CILINDRO	CYLINDER POTENTIOMETER SUPPORT	1,000
044.0501	NIPPLO NP 1/4 IDRAULICO	NP 1/4 HYDRAULIC NIPPLE	1,000
044.0505	NIPPLO 1/4 FORO 1 MM E.19X29 ZINC.G.	HYDRAULIC FITTING 19X19 1/4	1,000
044.1251	VALVOLA RIGENERATRICE CILINDRO	CYLINDER REGENERATING VALVE	1,000
044.1125	CILINDRO IDRAULICO 0 63 C.150+BYPASSENZA CONNETTORE	HYDRAULIC CYLINDER 0 63 C.	1,000

Handvat



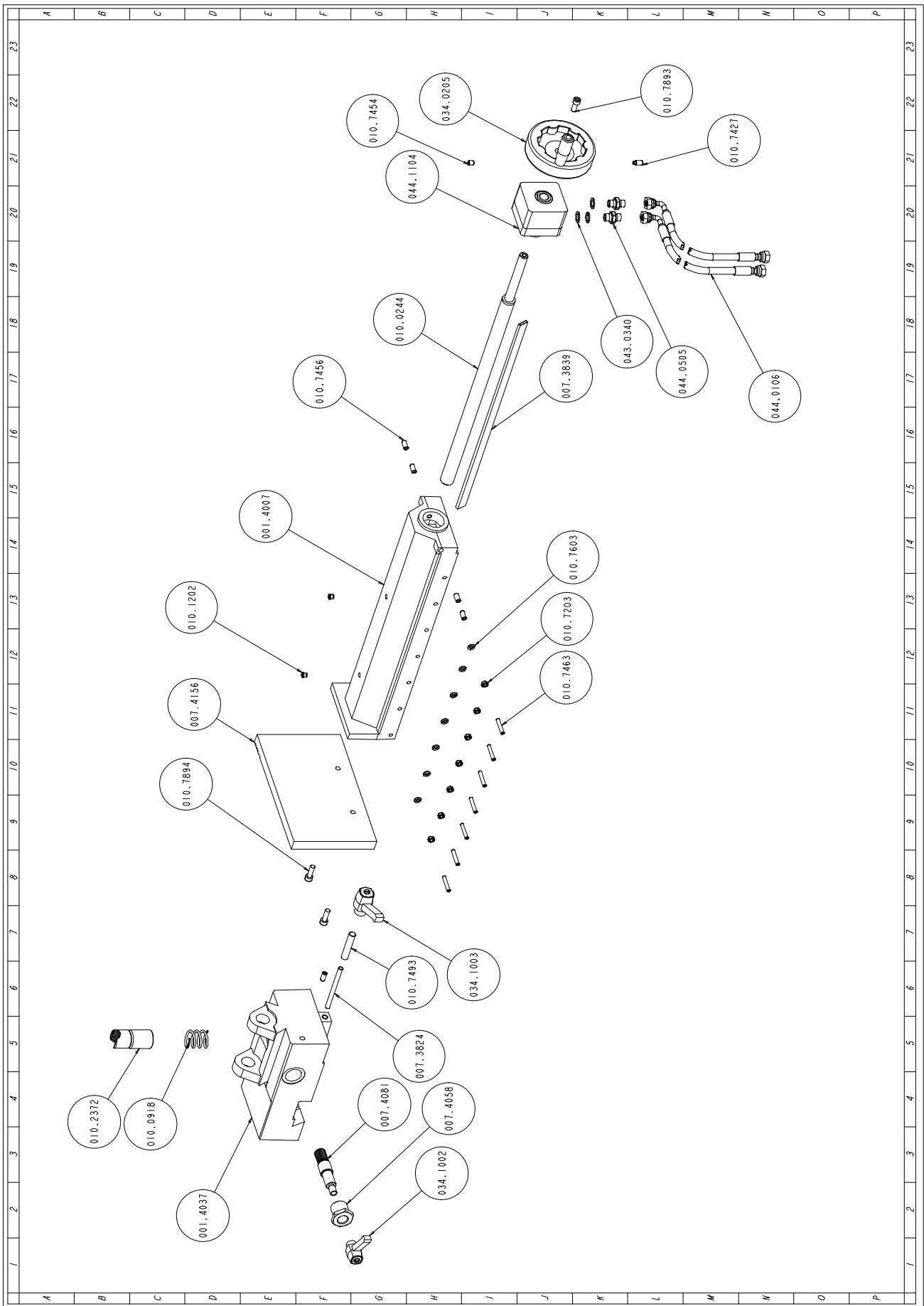
Art. NR.	Benaming	Description	Hoeve lheid
010.0928	MOLLA X IMPUGNATURA MEP DIS.1189559	MEP HANDLE SPRING	1,000
010.7409	GRANO VCE PUNTA CILINDRICA 8 X 10	8 X 10 CYLIND.POINT VCE GRUB SCREW	1,000
010.7700	SPINA CILINDRICA DIAM. 4 X 24	CYLINDRICAL PIN DIAM. 4 X 24	1,000
010.7800	VITE AUTOFILETTANTE 2,9 X 15	2,9 X 15 SELF-THREADING SCREW	3,000
022.0515	MICROINTERRUTTORE V-16-1A6-R	MICROSWITCH V-16-1A6-R	1,000
025.0691	SERIE GUARNIZIONI X IMPUGNATURA MEP	GASKETS FOR MEP HANDLE	1,000
034.1221	IMPUGNATURA DISEGNO MEP	MEP HANDLE	1,000

Groep vaste tafel



Art. NR.	Benaming	Description	Hoeveelheid
002.0006	SQUADRO MORSA DESTRO MOD.1204	RIGHT VICE BACK STOP MOD.1204	1,000
002.0007	SQUADRO MORSA MOD.1205	LEFT VICE BAK STOP	1,000
001.4035	PIANO GIREVOLE SH 320 60 ² - MOD. 1229	ROTATING TABLE SH 320 60 ² MOD.1229	1,000
001.4036	PIATTAFORMA FISSA SH 320 60 ² -SH 332 M1201	FIXED PLATFORM SH 320 60 ² MOD.1201	1,000
001.4038	ANELLO PIANO GIREVOLE M1216	ROTATING TABLE RING M.1216	1,000
007.3808	PIASTRA APPOGGIA PEZZI SINISTRA SH 32060 ² - SH 332	LEFT STOCK SUPPORT PLATE SH 320 60 ²	1,000
007.3809	PIASTRA APPOGGIA PEZZI DESTRA SH 320 60 ² - SH 332	RIGHT STOCK SUPPORT SH 320 60 ²	1,000
007.3819	PERNO DI CENTRO SH 320 60 ² -282-332	CENTRE PIN SH 320 60 ²	1,000
007.3826	PERNO BLOCCAGGIO PIANO GIREVOLE SH 32060 ² - SH 332	ROTATING TABLE LOCKING PIN SH 320 60 ²	1,000
007.4060	BOCCOLA BATTUTA 45 ² DX SH 320 60 ² SH 332	BUSHING F.STOP AT 45 ² RIGHT SH 320 60 ²	1,000
007.4154	GANASCIA MORSA DESTRA	RIGHT VICE JAW	1,000
007.4155	GANASCIA MORSA SINISTRA	LEFT VICE JAW	1,000
007.4536	PERNO PUNTO FISSO	PIN SH 200	1,000
007.4601	CILINDR.PUNTO FISSO	FIXED POINT CYLINDER	1,000
007.5031	SQUADRETTO X LIQUIDO PIANO GIREVOLE	COOLANT PLATE	1,000
010.0352	GHIERA AUTOBLOCCANTE 35X1,5	SELF-LOCKING RING NUT 35X1,5	1,000
010.0370	GHIERA 5S 30X1,5	RING NUT 5S 30X1,5	1,000
010.0424	GRANO PUNTA PIANA 12X170	GRUB SCREW 12X170	1,000
010.0425	GRANO PUNTA PIANA 12X190	GRUB SCREW 12X190	1,000
010.0426	GRANO PUNTA PIANA 12X135	GRUB SCREW 12X135	1,000
010.0902	MOLLA PUNTO FISSO TESTA MOD. 95	HEAD FIXED POINT SPRING	1,000
010.1204	INGRASSATORE M 6	M 6 LUBRICATOR	3,000
010.7206	DADO M12	M12 SCREW NUT	4,000
010.7491	GRANO VCE PUNTA PIANA 10 X 60	10 X 60 FLAT POINT VCE GRUB SCREW	1,000
010.7759	SPINA ELASTICA DIAM. 3 X 16	ELASTIC PIN DIAM. 3 X 16	1,000
010.7767	SPINA ELASTICA DIAM. 6 X 35 A SPIRALE	ELASTIC PIN DIAM. 6 X 35	2,000
010.7870	VITE TCEI 6 X 16	TCEI 6 X 16 SCREW	1,000
010.7891	VITE TCEI 8 X 16	TCEI 8 X 16 SCREW	4,000
010.7942	VITE TCEI 12 X 40	TCEI 12 X 40 SCREW	4,000
010.7987	VITE TE 12 X 40	TE 12 X 40 SCREW	1,000
016.0131	CARTER TRUCIOLI PER PIANO GIREVOLE	ROTATING TABLE SWARF COVER	1,000
016.0495	GUIDA SCARICA PEZZI	BAR UNLOAD GUIDE	1,000
025.0080	GABBIA ASSIALE A RULLINI AXK 3552	AXIAL CAGE WITH ROLLERS AXK 3552	1,000
025.0082	RALLA AS 3552	CENTER PLATE AS 3552	2,000
025.0239	ANELLO DI TENUTA OR 4112	O RING 4112	1,000
025.0452	RULLI 6X6 AISI 420	ROLLERS 6X6 AISI 420	219,00
028.0121	RACCORDO 3/8-17 CL 2601	JOINT 3/8-17 CL 2601	1,000
028.0394	TUBO LOOC LINE 1/2 ART. 59861	LOOC LINE HOSE 1/2	1,000
028.0399	UGELLO 0 12,7 - 1/2 ART. 59863	NOZZLE 0 12,7 - 1/2	1,000
028.0404	RACCORDO 3/8 NPT LOOC LINE 1/2 ART.59864	FITTING 3/8 NPT	1,000
034.1002	LEVA A SCATTO 10 MA	LEVER 10 MA	1,000
034.1203	IMPUGNATURA NS. DISEGNO M10	MEP MADE HANDWHEEL M10	1,000
043.0252	GOMITO MF 3/8 CL 2020	MF 3/8 CL 2020 ELBOW	2,000
043.0653	RUBINETTO M/F 3/8 CL 6310	M/F 3/8 CL 6310 TAP	1,000
034.0397	COPERCHIO SNODO TESTA SH MM.30	HEAD PIVOT COVER SH N.S.	1,000

Klemgroep

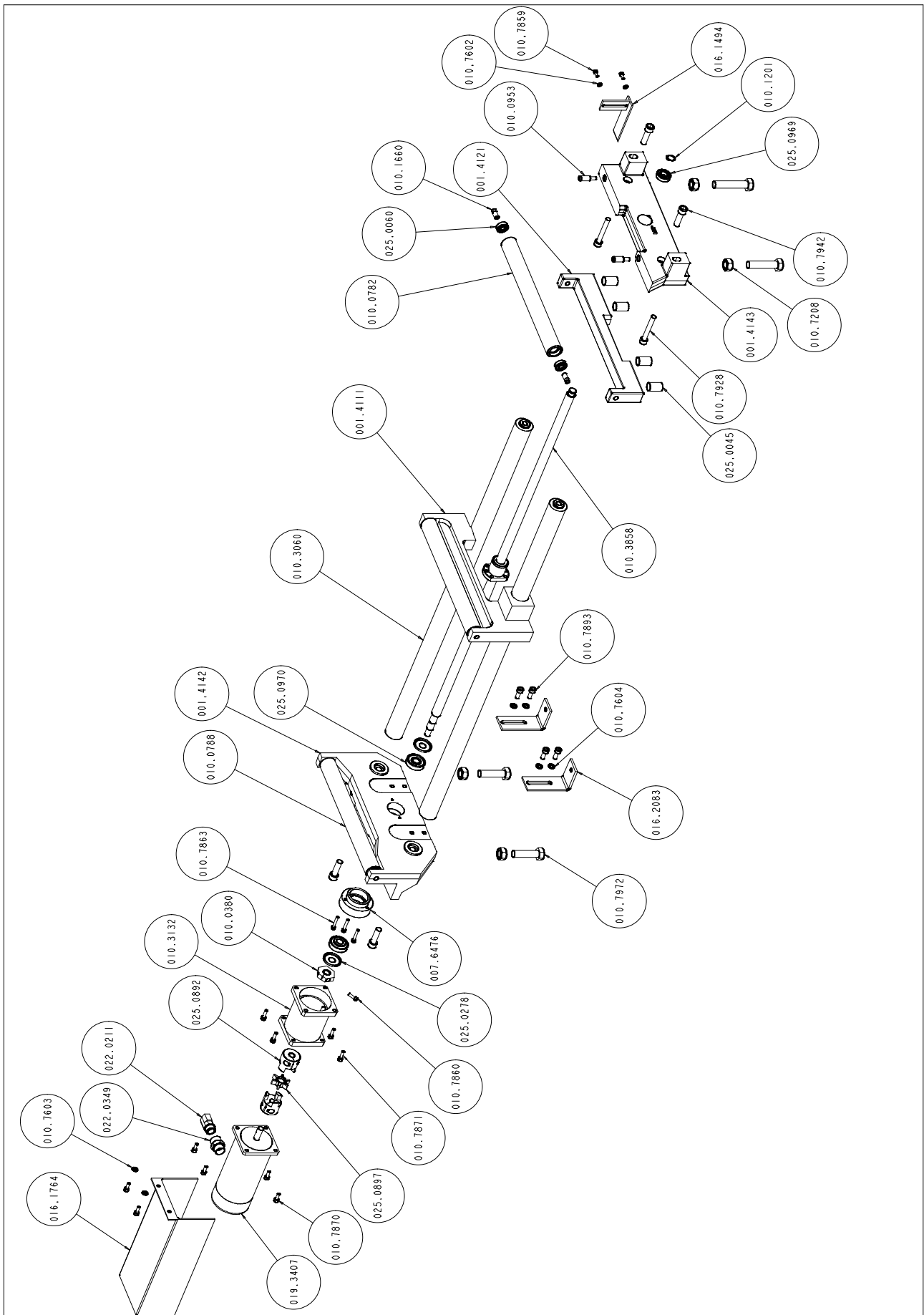


Art. NR.	Benaming	Description	Hoeve lheid
001.4007	SCORREVOLE MORSA MOD. 1207	UPPER VICE	1,000
001.4037	SUPPORTO MORSA SH 320 60 ² -280-282 292-332 MOD.1206	VICE SUPPORT SH 320 60 ² -280 MOD.1206	1,000
007.3824	PERNO BLOCCAGGIO MORSA SERRAGGIO RAPIDO	LOCKING PIN	1,000
007.3839	LARDONE MORSA	VICE GIB	1,000
007.4058	BOCCOLA ECCENTRICA	ECCENTRIC BUSHING	1,000
007.4081	PIGNONE SBLOCCAGGIO SCORREVOLE	UNLOCKING LOWER VICE PINION	1,000
007.4156	GANASCIA MORSA MOBILE SH 332	MOVING VICE JAW SH 332	1,000
010.0244	VITE MORSA 576X24 D.0696-08	VICE SCREW 576X24	1,000
010.0918	MOLLA RICHIAMO CHIOCCIOLA VITE MORSA	VICE SCREW NUT RETURN SPRING	1,000
010.1202	OLIATORE A SFERA DIAM. 8	OIL FILLER DIAM.8	2,000
010.2372	CHIOCCIOLA BRONZO 45 ²	SCREW NUT 45 ²	1,000
010.7203	DADO M6	M6 SCREW NUT	7,000
010.7427	GRANO VCE PUNTA CILINDRICA 8 X 12	8 X 12 CYLIND.POINT VCE GRUB SCREW	1,000
010.7454	GRANO VCE PUNTA CONICA 8 X 8	8 X 8 CONICAL POINT VCE GRUB SCREW	1,000
010.7456	GRANO VCE PUNTA CONICA 8 X 16	8 X 16 CONICAL POINT VCE GRUB SC- REW	5,000
010.7463	GRANO VCE PUNTA CONICA 6 X 35	6 X 35 CONICAL POINT VCE GRUB SC- REW	7,000
010.7493	GRANO VCE PUNTA PIANA 12 X 60	12 X 60 FLAT POINT VCE GRUB SCREW	1,000
010.7603	RONDELLA 0 6	0 6 WASHER	7,000
010.7859	VITE TCEI 5 X 12	TCEI 5 X 12 SCREW	4,000
010.7893	VITE TCEI 8 X 20	TCEI 8 X 20 SCREW	1,000
010.7894	VITE TCEI 8 X 25	TCEI 8 X 25 SCREW	6,000
025.0203	ANELLO TENUTA	SEAL 35X25X7	2,000
025.0217	ANELLO TENUTA OR 155-50,80	O RING 155-50,80	1,000
025.0452	RULLI 6X6 AISI 420	ROLLERS 6X6 AISI 420	1,000
034.0205	VOLANTINO VPRA/125 MR	VPRA/125 HANDWHEEL	1,000
034.1002	LEVA A SCATTO 10 MA	LEVER 10 MA	1,000
034.1003	LEVA A SCATTO 12 MA	LEVER 12 MA	1,000
043.0340	RONDELLA RAME 13X19X1,5-1/4	COPPER WASHER 13X19X1,5-1/4	3,000
044.0106	TUBO CENTRALINA IDRAULICA 1500 MM R7 1/41X90 ²	HYDR.UNIT HOSE R7 1/14 MM 1500 1X90 ²	2,000
044.0505	NIPPLO 1/4 FORO 1 MM E.19X29 ZINC.G.	HYDRAULIC FITTING 19X19 1/4	2,000
044.1104	CILINDRO VOLAMPRESS D.E.SH 330 N.T.	HYDRAULIC CYLINDER SH 330 N.T.	1,000

Art. NR.	Benaming	Description	Hoeveelheid
001.4122	CHIOCCIOLA ALIMENTATORE MORSE VERT. M.1268	SCREW NUT	1,000
001.4141	CARRELLO ALIMENTATORE MOD.1262	FEEDER CARRIAGE MOD.1262	1,000
001.4314	MORSA ALIMENTATORE SH 330 CNC 60 ² – 281–282 NC EVO	FEEDER VICE SH 330 CNC 60 ²	1,000
007.3874	SUPPORTO RULLO PREMIBARRA	ROLLER SUPPORT	2,000
007.3916	TASSELLO FISSAGGIO RULLO SUPPLEMENTARE	ADD. ROLLER FIXING PLATE	2,000
007.4111	RULLO SUPPLEMENTARE ALIMENTATORE	FEEDER ADDITIONAL ROLLER	1,000
007.4130	SUPPORTO X RULLO SUPPL.MORSA ALIM.	SUPPORT FOR FEEDER ADDITIONAL ROLLER	2,000
007.4168	GANASCIA MORSA MOBILE ALIMENTATORE	FEEDER MOVABLE VICE JAW	1,000
007.4169	GANASCIA MORSA FISSA ALIMENTATORE SH 332AX-AXI-CNC-SH 330 AXIS/NC-EVO M.VERT.IDR	”ADD.JAW F.BUNDLE CUTTING SH 330 ”C”””	1,000
007.4199	PIASTRINO FISSAGGIO SCORREVOLE MORSA ALIMENTATORE SH 330	UPPER VICE FIXING PLATE SH 330	1,000
007.4152	TASSELLO ANTICADUTA RULLO SH 330 60	ROLLER ANTIFALLING FIX.PLATE SH 330 60 ²	2,000
010.0253	VITE MORSA ALIMENTATORE 567X24 SHFILET-TO SINISTRO D.039522	VICE SCREW 567X24 SH L.THREAD	1,000
010.0782	CORPO RULLO ALIMENTATORE 0 35	0 35 FEEDER ROLLER	2,000
010.0788	RULLO ALIMENTATORE COMPLETO X SH. 0 35 L	COMPLETE ROLLER 0 35	2,000
010.0927	MOLLA CARRELLO ALIMENTATORE CNCFE	FEEDER CARRIAGE SPRING CNCFE	4,000
010.1203	OLIATORE A 90 ² 6X1	90 ² OIL FILLER DIAM.8 6X1	1,000
010.1231	VITE FISSAGGIO STAFFA FINECORSA ALIMENTATORE SH AX-AXI-AXI S	FIXING SCREW SH AX-AXI-AXI S	2,000
010.1454	STAFFA FISSAGGIO FINE CORSA ALIMENTATORE SHARK NC	FEEDER BACK STOP BRACKET SH NC	1,000
010.1608	TASSELLO MORSA BASCULANTE ALIMENTATORE 330	FEEDER VICE FIX PLATE 330	2,000
010.1660	PERNO RULLO 25 MM.ALIMENT.SH	PIN FOR FEEDER ROLLER SH 320 AXI	4,000
010.3151	SUPPORTO RULLO MORSA ALIMENTATORE SH 330AXIS	FEEDER VICE ROLLER SUPPORT SH330AXIS	1,000
010.7409	GRANO VCE PUNTA CILINDRICA 8 X 10	8 X 10 CYLIND.POINT VCE GRUB SCREW	2,000
010.7410	GRANO VCE PUNTA CILINDRICA 8X16	8 X 16 CYLIND.POINT VCE GRUB SCREW	3,000
010.7454	GRANO VCE PUNTA CONICA 8 X 8	8 X 8 CONICAL POINT VCE GRUB SCREW	1,000
010.7602	RONDELLA 0 5	0 5 WASHER	2,000
010.7603	RONDELLA 0 6	0 6 WASHER	4,000
010.7604	RONDELLA 0 8	0 8 WASHER	2,000
010.7605	RONDELLA 0 10	0 10 WASHER	4,000
010.7774	SPINA ELASTICA DIAM. 6 X 26	ELASTIC PIN DIAM. 6 X 26	2,000
010.7832	VITE BUTON 6 X 12	BUTON SCREW 6 X 12	2,000
010.7852	VITE TCEI 4 X 12	TCEI 4 X 12 SCREW	2,000
010.7859	VITE TCEI 5 X 12	TCEI 5 X 12 SCREW	6,000
010.7868	VITE TCEI 6 X 12	TCEI 6 X 12 SCREW	8,000
010.7870	VITE TCEI 6 X 16	TCEI 6 X 16 SCREW	6,000
010.7893	VITE TCEI 8 X 20	TCEI 8 X 20 SCREW	5,000
010.7894	VITE TCEI 8 X 25	TCEI 8 X 25 SCREW	12,000
010.7923	VITE TCEI 10 X 25	TCEI 10 X 25 SCREW	4,000
010.7932	VITE TCEI 10 X 110	TCEI 10 X 110 SCREW	2,000
010.7990	VITE TSPEI 4 X 8	TSPEI 4 X 8 SCREW	8,000
010.8603	SPINA CILINDRICA DIAM. 6 X 25	PARALLEL PIN DIAM.6 X 25	2,000
010.9116	GRANO VCE PUNTA PIANA 5 X 8	5X8 FLAT POINT GRUB SCREW	2,000
016.0204	SUPPORTO CATENA ALIMENTATORE	FEEDER CHAIN SUPPORT	1,000
016.1509	STAFFA FIX SOFFIETTO CIRCOLARE	CIRCULAR BELLOWS FIX BRACKET	2,000
016.1513	STAFFA FIX FINECORSA DI AZZERAMENTO	MICROSW.FIX.BRACKET	1,000
016.1799	PROTEZIONE FINE CORSA ALIMENTATORE	FEEDER BACK STOP PRTECTION	1,000
022.0543	FINECORSA ALIMENTATORE	LIMIT SWITCH FEEDER	1,000

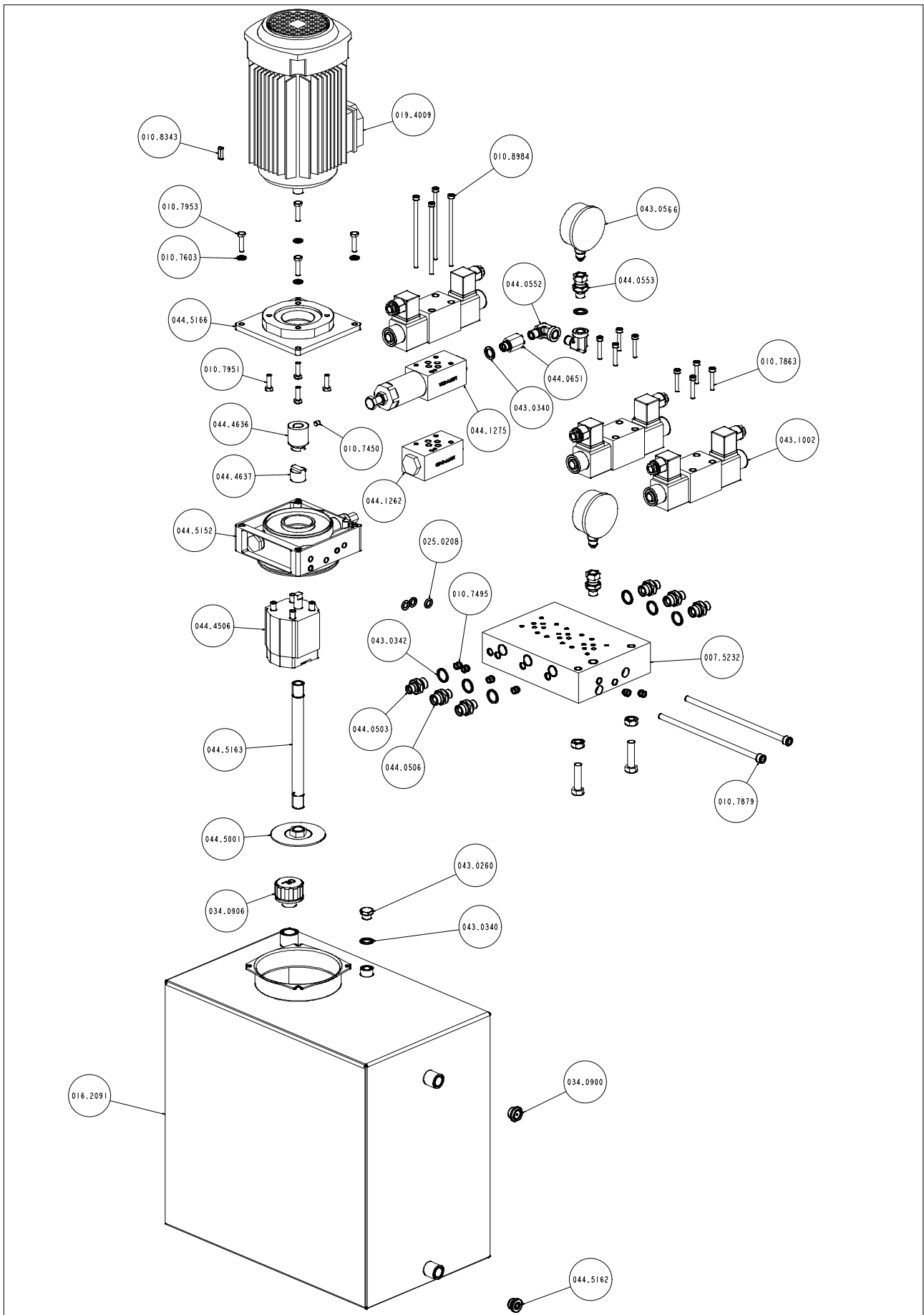
Art. NR.	Benaming	Description	Hoeveelheid
022.0527	SENSORE DI PROSSIMITA' PNP-NO (M12X1-27MM.)X ALIMENT.	PROXIMITY PNP-NO (M12X1-27)	1,000
025.0046	MANICOTTO A SFERA 0658.040.00 AL.	BALL SLEEVE 0658.040.00 AL.	4,000
025.0060	CUSCINETTO 6000 2Z	BEARING 6000 2Z	4,000
025.0203	ANELLO TENUTA 35X25X7	SEAL 35X25X7	2,000
025.0217	ANELLO TENUTA OR 155-50,80	O RING 155-50,80	1,000
025.0452	RULLI 6X6 AISI 420	ROLLERS 6X6 AISI 420	1,000
034.0205	VOLANTINO VPRA/125 MR	VPRA/125 HANDWHEEL	1,000
043.0216	RACCORDO A -T- FFF 1/4 CL 2003	FFF 1/4 CL 2003 T JOINT	2,000
043.0260	TAPPO TTE4 1/4 - CL 2611	1/4 TAP TTE4	2,000
043.0275	NIPPLO CONICO A2-1/4 - CL 2500	A2-1/4 - CL 2500 CONICAL NIPPLE	2,000
043.0340	RONDELLA RAME 13X19X1,5-1/4	COPPER WASHER 13X19X1,5-1/4	4,000
043.0421	SOFFIETTO CIRCOLARE X ALIMENTATOREAZ/ ZD=550/60 SPIRE 37	FEEDER CIRCULAR BELLOWS	2,000
043.0425	SOFFIETTO CIRCOLARE X ALIMENTATORESH NC-EVO N.T. AZ/ZD=610/65 SPIRE 41	CIRCULAR BELLOWS MM610	2,000
044.0501	NIPPLO NP 1/4 IDRAULICO	NP 1/4 HYDRAULIC NIPPLE	2,000
044.0552	RACCORDO A GOMITO IDRAULICO MF 1/4 AL- TAPRESSIONE	HYDR. ELBOW JOINT M/F 1/4 HIGH PRES- SURE	2,000
044.0651	PROLUNGA 1/4' M.F. ESAGONALE 25MM.	"1/4'" M.F. EXTENSION 20 MM"	2,000
044.1104	CILINDRO VOLAMPRESS D.E.SH 330 N.T.SH 292-SH 332	HYDRAULIC CYLINDER SH 330 N.T.	1,000

Aanvoerrollenbaan groep



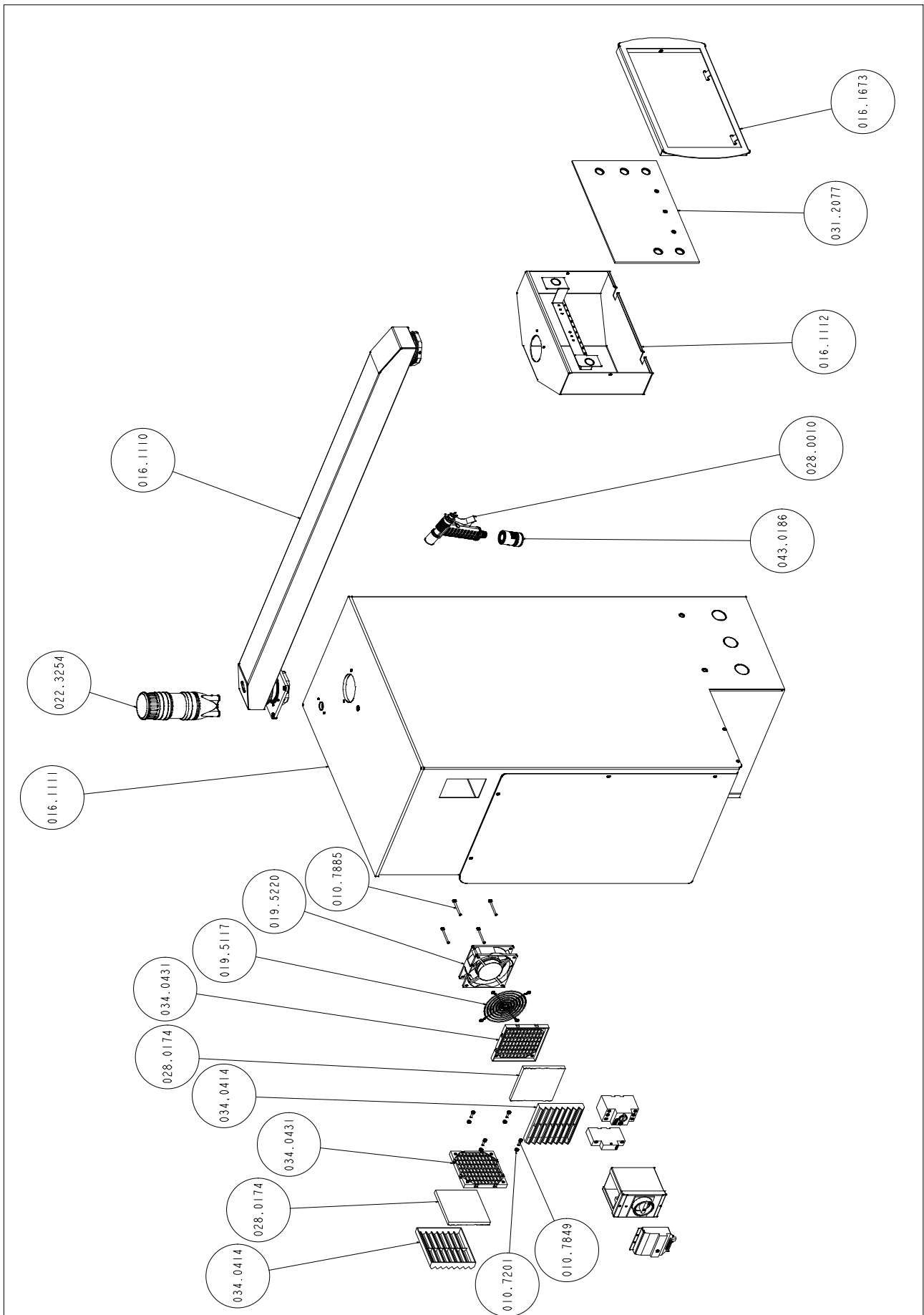
Art. NR.	Benaming	Description	Hoeveelheid
001.4111	SUPPORTO RULLO LIBERO ALIMENTATORE SHARKMOD. 1263	ROLLER SUPPORT SHARK MOD.1263	1,000
001.4121	STAFFA ANTERIORE PARTE SUPERIORE ALIMENTATORE SH 320 MOD. 1267	UPPER FRONT BRACKET SH 320 MOD.1267	1,000
001.4142	STAFFA POSTERIORE ALIMENTATORE SHARK NC- EVO MOD. 1402	FEEDER REAR BRACKET SH NC EVO MOD.1402	1,000
001.4143	STAFFA ANTERIORE INFERIORE ALIMENTATORE SHARK 281-282-332 MOD.1266	FEEDER LOW FRONT BRACKET SH281-282-332	1,000
007.6476	MANICOTTO VITE RICIRCOLO ALIMENTATORE-SH 500-420	SLEEVE FOR RECIRCULATING BALLSCREW	1,000
010.0380	GHIERA FISSAGGIO VITE RICIRCOLO ALIMENTATORE SH N.T.	FIXING RING NUT FOR FEEDER	1,000
010.0782	CORPO RULLO ALIMENTATORE 0 35	0 35 FEEDER ROLLER	3,000
010.0788	RULLO ALIMENTATORE COMPLETO X SH. 0 35 L	COMPLETE ROLLER 0 35	3,000
010.0953	PERNO DI CENTRAGGIO TESTATA ANTERIORE ALIMENTATORE SH 320	CENTERING PIN SH 320	2,000
010.1201	VITERIA E BULLONERIA	SCREWS AND BOLTS	1,000
010.1660	PERNO RULLO 25 MM.ALIMENT.SH	PIN FOR FEEDER ROLLER SH 320 AXI	6,000
010.3060	GUIDA CARRELLO ALIMENTATORE 0 40 MM. 970X SHARK NC N.T.	FEEDER CARRIAGE GUIDE 0 40 MM.970 SH NC	2,000
010.3132	SUPPORTO MOTORE P/P ALIMENT.SH NC	SUPPORT FOR FEEDER STEPPER MOTOR SH NC	1,000
010.3858	VITE A RIC. DI SFERE SDA2010VZS-3CCGS-1077 L-CT7 + CHIOCCIOLA	FEEDER SCREW + SCREW NUT ASSEMBLED	1,000
010.7208	DADO M16	M16 SCREW NUT	4,000
010.7450	GRANO VCE PUNTA CONICA 6 X 6	6 X 6 CYLINDRICAL POINT VCE GRUB	1,000
010.7602	RONDELLA 0 5	0 5 WASHER	2,000
010.7603	RONDELLA 0 6	0 6 WASHER	2,000
010.7604	RONDELLA 0 8	0 8 WASHER	4,000
010.7859	VITE TCEI 5 X 12	TCEI 5 X 12 SCREW	2,000
010.7863	VITE TCEI 5 X 30	TCEI 5 X 30 SCREW	3,000
010.7870	VITE TCEI 6 X 16	TCEI 6 X 16 SCREW	6,000
010.7871	VITE TCEI 6 X 20	TCEI 6 X 20 SCREW	4,000
010.7893	VITE TCEI 8 X 20	TCEI 8 X 20 SCREW	4,000
010.7928	VITE TCEI 10 X 70	TCEI 10 X 70 SCREW	2,000
010.7942	VITE TCEI 12 X 40	TCEI 12 X 40 SCREW	4,000
010.7972	VITE TE 16X60	TE 16 X 60 SCREW	2,000
016.1507	STAFFA COMANDO MICROINTERRUTTORE	MICROSWITCH BRACKET	1,000
016.1764	PROTEZIONE MOTORE ALIMENT. SH 500	FEEDER MOTOR PROTECTION SH 500	1,000
016.2083	STAFFA FIX ALIMENTATORE	FEEDER FIX. BRACKET	2,000
019.3407	MOTORE P/P FL86STH156-5708AL XALIMENTATORI NC	FEEDINGMOTOR	1,000
025.0045	MANICOTTO A RICIRCOLO DI SFERE LBBS12-2L	RECIRCULATING BALL SLEEVE LBBS12-2LS	4,000
025.0060	CUSCINETTO 6000 2Z	BEARING 6000 2Z	6,000
025.0278	ANELLO DI PROTEZIONE NILOS 30302 AV	NILOS SEAL RING 30302 AV	2,000
025.0892	MOZZO 1A RTX 19 AL-H-12-2.0 ART. 1305050	HUB	2,000
025.0897	STELLA RTX 19-98 GS ART. 13051500120	RTX STAR	1,000
025.0969	CUSCINETTO 6002J2	BEARING	1,000
025.0970	CUSCINETTO 30302J2	BEARING	2,000

Hydraulische aggregaten



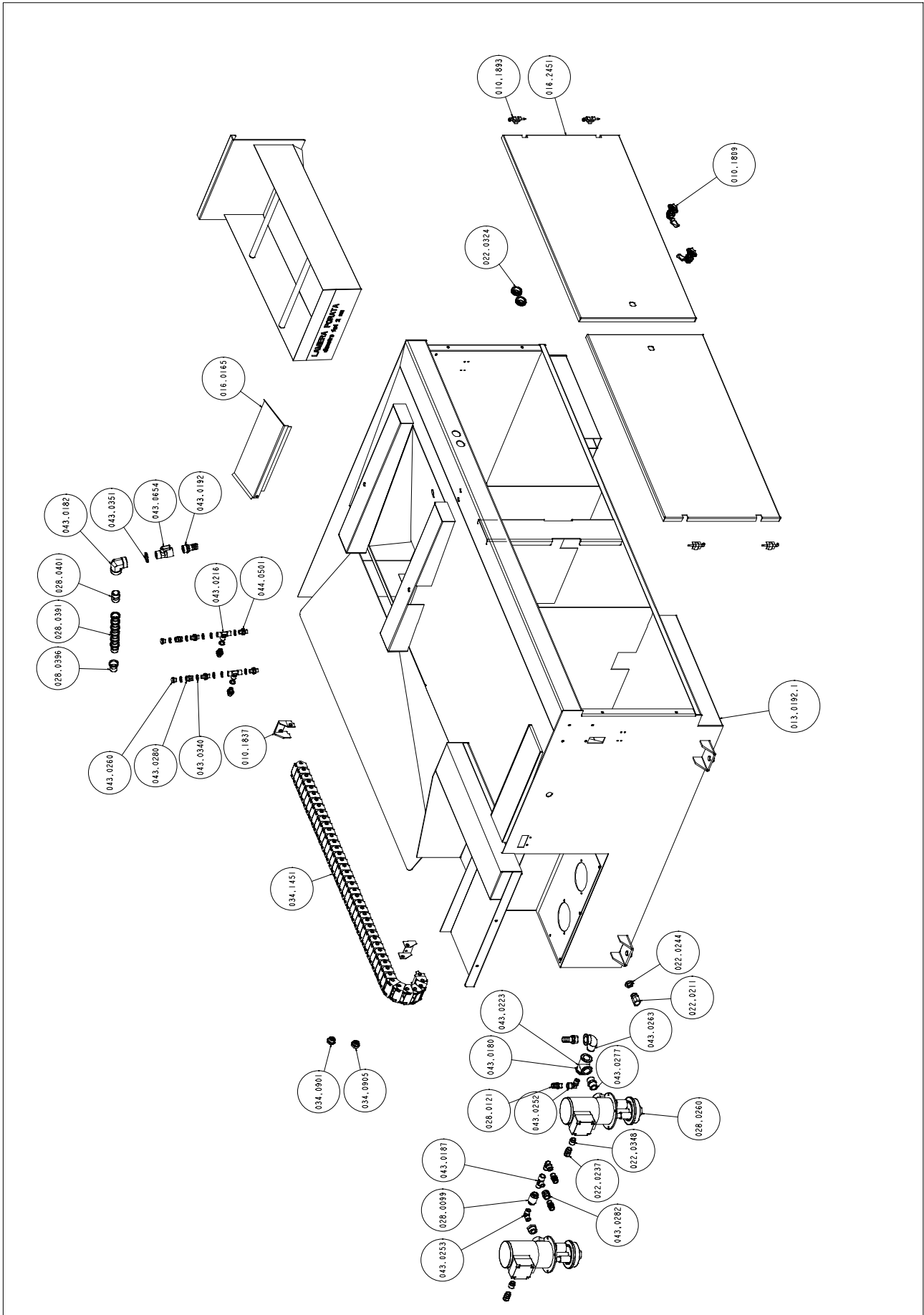
Art. NR.	Benaming	Description	Hoeveelheid
007.5232	BLOCCETTO IDRAULICO CENTRALINA SHNC-EVO --A--	MANIFOLD	1,000
010.7450	GRANO VCE PUNTA CONICA 6 X 6	6 X 6 CYLINDRICAL POINT VCE GRUB	1,000
010.7495	GRANO VCE PUNTA PIANA 1/8 GAS	1/8"X9 FLAT POINT VCE GRUB SCREW	1,000
010.7603	RONDELLA 0 6	0 6 WASHER	1,000
010.7879	VITE TCEI M8 X 205	TCEI 8 X 205 SCREW	1,000
010.7863	VITE TCEI 5 X 30	TCEI 5 X 30 SCREW	1,000
010.7951	VITE TE 6 X 20	TE 6 X 20 SCREW	1,000
010.7953	VITE TE 6 X 25	TE 6 X 25 SCREW	1,000
010.8343	CHIAVETTA 5 X 5 X 20	KEY 5 X 5 X 20	1,000
010.8984	VITE TCEI 5 X 110	TCEI 5 X 110	1,000
016.2091	SERBATOIO CENTRALINA NC-EVO --A--	UNIT TANK NC-EVO --A--	1,000
019.4009	MOTORE CENTRAL. KW 0,736 C80 4P B14V.230-400-415.50/240-480.60 CERT.UL-CSA	MOTOR KW 0,736 C80 4P B14 CERT.UL-CSA	1,000
025.0208	ANELLO TENUTA OR 109-9,13	O RING 109-9,13	1,000
034.0900	TAPPO LIVELLO OLIO SLNT 38 3/8 PH 211 -POS. 210	SLNT 38 3/8 OIL LEVEL CAP	1,000
034.0906	TAPPO OLIO CENTRALINA IDRAULICA SH 310 SXI	HYDRAULIC UNIT OIL CAP SH 310 SXI	1,000
043.0260	TAPPO TTE4 1/4 - CL 2611	1/4 TAP TTE4	1,000
043.0340	RONDELLA RAME 13X19X1,5-1/4	COPPER WASHER 13X19X1,5-1/4	7,000
043.0342	RONDELLA RAME 17X23X1,5-3/8	COPPER WASHER 17X23X1,5-3/8	1,000
043.0566	MANOMETRO 0 63 0-100 BAR ATTACCO RADIALE	MANOMETER 0 63 0-100	1,000
043.1002	ELETTROVALVOLA DL3-S1/10N-D24K1 CONBOBINA X CENTRALINA SXI-EVO-NC EVO	ELECTROVALVE FOR HYDRAULIC UNIT SXI EVO	3,000
044.0503	NIPPLO IDRAULICO M 3/8-M 1/4	HYDRAULIC FITTING M 3/8 M 1/4	6,000
044.0506	NIPPLO 3/8 1/4 FORO 1MM E.22X32,5 ZINC.G	NIPPLE 3/8 1/4 E.22X32,5 ZINC.G.	1,000
044.0552	RACCORDO A GOMITO IDRAULICO MF 1/4 ALTA	HYDR. ELBOW JOINT M/F 1/4 HIGH PRESSURE	1,000
044.0553	RACCORDO IDRAULICO MF 1/4 GIREVOLE XMANOMETRO CENTRALINA	HYDRAULIC COUPLING FOR POWER PACK MANOM.	1,000
044.0651	PROLUNGA 1/4' M.F. ESAGONALE 25MM.	"1/4" M.F. EXTENSION 20 MM"	1,000
044.1262	VALVOLA MODULARE DI BLOCCO SH SXI / NC	STOP VALVE FOR SH SXI / NC EVO	1,000
044.1275	VALVOLA MODULARE RIDUTTRICE DI PRESSIONE	MODULER VALVE PRESS.REDUC. MBRV-02A	1,000
044.4506	POMPA IDRAULICA MONOCENTRALINA CC 5	HYDR.PUMP FOR HYDR.UNIT CC 5 X NC-EVO	1,000
044.4636	GIUNTO COLLEGAMENTO LATO MOTORE GR 80X MONOCENTRALINA SH NC-EVO --A--	CONNECTING COUPLING FOR CENTRAL UNIT	1,000
044.4637	GIUNTO COLLEGAMENTO LATO POMPA X MONOCENTRALINA	PUMP CONNECTING COUPLING FOR CENTRALUNIT	1,000
044.5001	FILTRO OLIO X CENTRALINA IDRAULICA	OIL FILTER FOR HYDRAULIC UNIT	1,000
044.5152	COLLETTORE PER POMPA DA 5 X NC-CNCC-TR UP100K3P0-01 5 MOD.6/021N7	SQUARE FOR PUMP SUPPORT	1,000
044.5162	TAPPO SCARICO OLIO -A-AN 612 - 3/8 OR	OIL DRAIN TAP -A- AN 612 - 3/8 OR"	1,000
044.5163	ASTA PESCANTE X MONOCENTRALINA NC-EVO--A-- L200 2X3/8 GAS	MONOUNIT SUCTION ROD NC-EVOA L200 2X3/8	1,000
044.5166	FLANGIA MONOCENTRALINA NC-EVO X MOTOREC80B14 --A--	POWER PACK MOTOR FLANGE	1,000

Bedieningspaneel



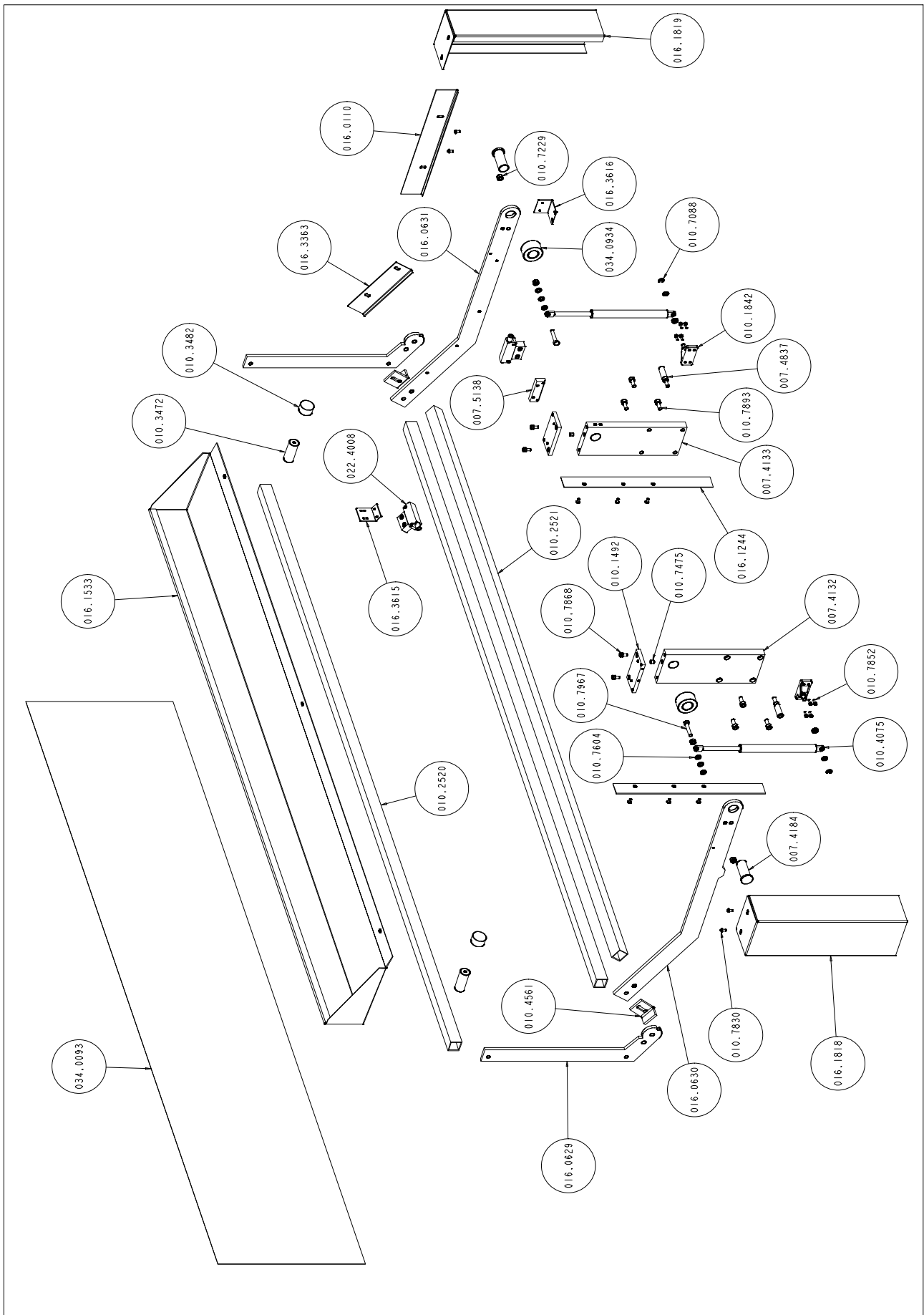
Art. NR.	Benaming	Description	Hoeveelheid
010.7201	DADO M4	M4 SCREW NUT	1.000
010.7849	VITE TCEI 4 X 16	TCEI 4 X 16 SCREW	1.000
010.7885	VITE TCEI 4 X 50	TCEI 4 X 50 SCREW	1.000
016.1110	ASTA MOBILE X CONSOLE COMPLETA DI GIUNTO	MOBILE ROD FOR CONSOLE COMPLETE WITH JOINT	1.000
016.1111	ARMADIO ELETTRICO SH281-282-330-332NC5.0	ELECTRIC CABINET	1.000
016.1112	SCATOLA QUADRO COMANDI SENZA CORNICE	CONTROL PANEL BOX WITHOUT FRAME	1.000
016.1673	CORNICE QUADRO COMANDI X NC 5.0	FRAME FOR CONTROL PANEL	1.000
019.5117	COPRIVENTOLA X CNCFE	FAN COVER CNCFE	1.000
019.5220	VENTOLA 120X120 24 VDC FP-108	NYLON FAN 120X120 24 VDC FP-108	1.000
022.3254	LAMPEGGIANTE LED 24	FLASHING LED LIGHT 24	1.000
028.0010	PISTOLA SH-TI	COOLANT PISTOL	1.000
028.0174	FILTRO M12R X VENTOLA CNCFE	FAN FILTER M12R CNCFE	2.000
031.2077	CONSOLLE DI PROGRAMMAZIONE MEP 50 TOUCH-SCREEN 7 INCH X NC EVO - SH 230 NC HS	PROGRAMMING CONSOLLE MEP50 TS 7INCH NC	1.000
034.0414	COPERCHIO PORTA FILTRO A12C-7032 AX-CNC	A12C-7032 FINNER COVER AX-CNCFE	2.000
034.0431	BASE A12B - 7032 AX-CNCFE	A12B - 7032 BASE AX-CNCFE	2.000
043.0186	RACCORDO FEMMINA 1/2 ACQUASTOP	1/2 WATERASTOP FEMALE JOINT	1.000

Groep onderstel



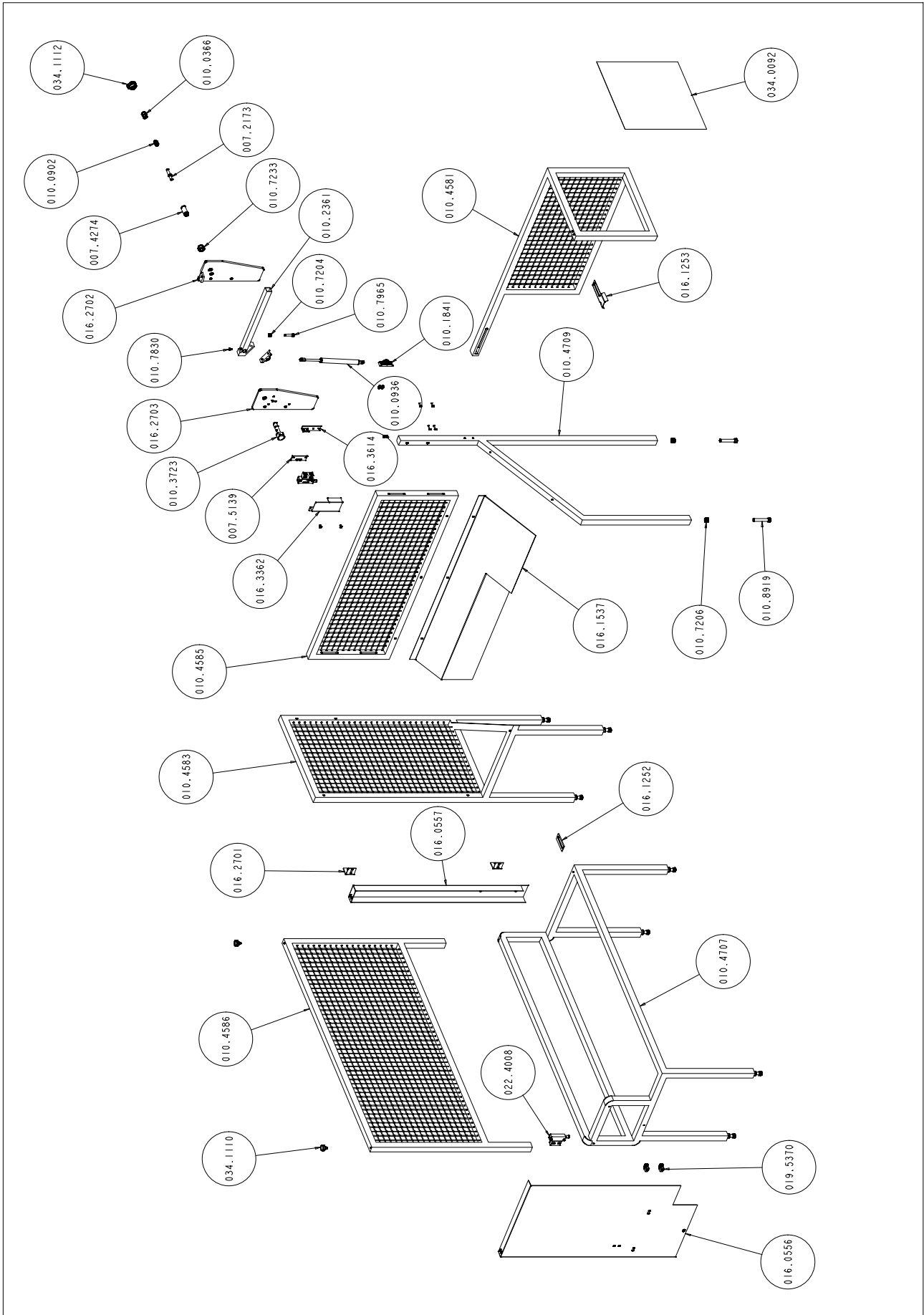
Art. NR.	Benaming	Description	Hoevee lheid
010.1837	SET ATTACCHI 905.010-905.011	ATTACHMENTS SET	2,000
013.0192.1	PIEDISTALLO SH 332 NC 5.0	STEEL BASE SH 332 NC 5.0	1,000
016.0165	RACCOGLITORE ACQUA SH320-332	WATER COLLECTOR	1,000
022.0211	RACCORDO RAPIDO SEM PG 13,5	RAPID JOINT SEM PG 13,5	1,000
022.0237	PRESSACAVO PG 11 BS03	CABLE PRESSER PG 11 BS03	2,000
022.0244	CONTRODADO 3217B GRIGIO PG 13,5	LOCK NUT 3217B GREY PG 13,5	1,000
022.0324	PASSACAVI 24 INC.MM.2.5	FAIRLEADS 24 INC.M M.2.5	2,000
022.0348	ADATTATORE ADM-MP 16-11 M16X1,5PG11	ADAPTER	2,000
028.0099	VALVOLA DI NON RITORNO 3/8'	"NON RETURN VALVE 3/8""	1,000
028.0121	RACCORDO 3/8-17 CL 2601	JOINT 3/8-17 CL 2601	3,000
028.0260	ELETTROPOMPA V.220-240/380-415.50HZ-SPV33	ELECTROPUMP 230-400.50 HZ SPV33	2,000
028.0391	TUBO LOOC LINE SPD ART.69540 3/4	LOOC LINE HOSE SPD ART.69540 3/4	1,000
028.0396	UGELLO 0 20 SPD FP50.11B50	NOZZLE 0 20 SPD FP50.11B50	1,000
028.0401	RACCORDO 3/4 SPD FP50.17A20	FITTING 3/4 SPD FP50.17A20	1,000
034.0901	TAPPO LIVELLO OLIO 1/2 'GAS.	1/2" GAS. OIL LEVEL CAP	1,000
034.0905	TAPPO OLIO TAO- 3 1/2 POL. NERO	TAO/3 1/2" BLACK OIL CAP	1,000
034.1451	CATENA PORTACAVI 17.04.63.0 AX-CNC	CABLES CHAIN AX-CNC	1,300
043.0180	RIDUZIONE M 3/4-F 3/8	REDUCTION M 3/4-F 3/8	2,000
043.0182	RACCORDO A GOMITO FF ZINCATO 3/4	3/4 ELBOW ZINKED JOINT	1,000
043.0187	ATTACCO A T FMM 3/8 CL 2050	3/8 T FEMALE JOINT CL 2050	1,000
043.0192	RACCORDO RB 9889 3/4X20	RB 9889 JOINT 3/4X20	2,000
043.0216	RACCORDO A -T- FFF 1/4 CL 2003	FFF 1/4 CL 2003 T JOINT	2,000
043.0223	RACCORDO TE FFF ZINCATO 3/4	TE FFF GALVANISED 3/4 JOINT	1,000
043.0252	GOMITO MF 3/8 CL 2020	MF 3/8 CL 2020 ELBOW	2,000
043.0253	GOMITO M.M.3/8 CL 2010	M. M.3/8 CL 2010 ELBOW	1,000
043.0260	TAPPO TTE4 1/4 - CL 2611	1/4 TAP TTE4	2,000
043.0263	RACCORDO A GOMITO M/F ZINCATO 3/4	3/4 ELBOW JOINT	1,000
043.0277	NIPPLO CONICO ZINCATO 3/4	GALVANISED 3/4 CONICAL NIPPLE	1,000
043.0280	MANICOTTO 1/4 M 4/4 - CL 2543	1/4 M 4/4 - CL 2543 SLEEVE	2,000
043.0282	MANICOTTO 3/8	3/8 SLEEVE	1,000
043.0340	RONDELLA RAME 13X19X1,5-1/4	COPPER WASHER 13X19X1,5-1/4	12,000
043.0351	GUARNIZIONE 3/4	3/4 GASKET	1,000
043.0654	RUBINETTO M/F 3/4 CL 6310	M/F 3/4 CL 6310 TAP	1,000
044.0501	NIPPLO NP 1/4 IDRAULICO	NP 1/4 HYDRAULIC NIPPLE	6,000
010.1893	CERNIERA SPORTELLO PIEDISTALLO N.T.	PROTECTION DOOR HINGE N.T.	1,000
016.2451	SPORTELLO PIEDISTALLO SH 332 NC 5.0	STEEL BASE DOOR SH 332 NC 5.0	1,000
010.1809	CHIUSURA SPORTELLO	DOOR LOCKING WIT KEY	1,000

Veiligheidsstang-voor groep



Art. NR.	Benaming	Description	Hoevee lheid
007.4132	SUPPORTO DESTRO BARRA DI PROTEZIONE	RIGHT SUPPORT	1,000
007.4133	SUPPORTO SINISTRO BARRA DI PROTEZIONE	LEFT SUPPORT	1,000
007.4184	PERNO BARRA PROTEZIONE	PROTECTION BAR PIN	2,000
010.1492	STAFFA FIX BARRA PROTEZIONE	BAR PROTECTION FIX BRACKET	2,000
010.1842	SUPPORTO MASCHIO X MOLLA A GAS	SPRING MALE SUPPORT	4,000
010.7088	ANELLO ELASTICO DI ARRESTO AD ESP.	ELASTIC RING STOP ESP.	2,000
010.7229	DADO AUTOBLOCCANTE M8	M8 SELF-LOCKING SCREW NUT	2,000
010.7475	GRANO VCE PUNTA PIANA 8 X 8	8 X 8 FLAT POINT VCE GRUB SCREW	2,000
010.7604	RONDELLA 0 8	0 8 WASHER	8,000
010.7830	VITE BUTON 5 X 10	5 X 10 BUTON SCREW	10,000
010.7852	VITE TCEI 4 X 12	TCEI 4 X 12 SCREW	8,000
010.7868	VITE TCEI 6 X 12	TCEI 6 X 12 SCREW	6,000
010.7893	VITE TCEI 8 X 20	TCEI 8 X 20 SCREW	4,000
010.7967	VITE TE 8 X 40	TE 8 X 40 SCREW	2,000
034.0934	TAPPO DISTANZIALE BARRA PROTEZIONE	SAFETY BAR SPACER TAP	2,000
010.2520	BARRA DI PROTEZIONE ANTERIORE SUPERIORE	UPPER FRONT PROTEC.BAR	2,000
010.2521	BARRA DI PROTEZIONE ANTERIORE INFERIORE	LOWER FRONT PROTEC.BAR	1,000
010.3472	DISTANZIALE MAGNETE X PROTEZ. SH NC-EVO	MAGNETIC FRONT GUARD SUPORT	1,000
010.3482	MAGNETE 20X35 M 6 X PROTEZIONI	MAGNET 20X35 M 6 FOR FENCES	1,000
010.4561	ANGOLARE BATTUTA BARRA DI PROTEZIONE ANTERIORE	FRONT BAR PROTEC.ANGLE BACK STOP SHNCEVO	2,000
016.0110	CARTER FINECORSIA	LIMIT SWITCH COVER	1,000
016.0629	SUPPORTO BARRA DI PROTEZIONE SUPERIORE	TOP PROTEC.BAR SUP.	2,000
016.0630	SUPPORTO BARRA DI PROTEZIONE DX	RIGHT PROTEC.BAR SUP.	1,000
016.0631	SUPPORTO BARRA DI PROTEZIONE SX	LEFT PROTEC.BAR SUP.	1,000
016.1818	PROTEZIONE BARRA ALIMENTAT. DX	FEEDER RIGHT BAR PROTECTION	1,000
016.1244	PIASTRINO CHIUSURA PROTEZIONE DX-SX	PROTECTION CLOSING PLATE L./R.	1,000
007.4837	PERNO DI BATTUTA X PROTEZIONE MOBILE ANTERIORE	MOVING FRONT PIN STOP	1,000
016.1819	PROTEZIONE BARRA ALIMENTAT.	FEEDER LEFT BAR PROTECTION	1,000
034.0093	PROTEZ.LEXAN GRANDE X PROT.MACCHINE	LEXAN LARGE GUARD MACCHINE PROTE.	1,000
007.5138	DISTANZIALE PROT. FRONTALE SENSORE RFID	DISTANCE FRONT PROTECTION SENSOR	1,000
010.4075	MOLLA GAS 150MM.1250N X PROTEZ. SH 332	GASSPRING 150MM.1250N X NC-EVO PROTECT.	1,000
016.1533	PARASCHIZZI ANTERIORE SH 332 NC-EVO	SPLASH SHIELD FRONT SH 332 NC EVO	1,000
016.3363	CARTER CAVO RFID SH NC	CARTER WIRE SHARK	1,000
016.3615	STAFFA FISSAGGIO SENSORE RFID PROTEZ. VERT. ANTERIORE SH NC	BRACKET SENSOR PROTECTION VERTICAL FRONT	1,000
016.3616	STAFFA FISSAGGIO SENSORE RFID PROTEZ. ANTERIORE SH NC	BRACKET FRONT SENSOR PROTECTION	1,000
022.4008	SENSORE DI SICUREZZA RFID ST DD420MK-D1T	SAFETY SENSORS WITH RFID TECHNOLOGY	1,000

Groep achter veiligheid



Art. NR.	Benaming	Description	Hoeveelheid
007.2173	PERNO BLOCCAGGIO CB 349-350 D	LOCKING PIN CB 349/350 D	1,000
007.4274	BUSSOLA PERNO BLOCC.X PROT.	BRUSHING CLAMPING PIN	1,000
007.5139	DISTANZIALE ARCHETTO SENSORE RFID SH 332		1,000
010.0366	GHIERA DI SPALLAMENTO X PROT.	PROTECTION RING NUT	1,000
010.0902	MOLLA PUNTO FISSO TESTA MOD. 95	HEAD FIXED POINT SPRING	1,000
010.0936	MOLLA GAS 125MM.600N	GAS SPRING 125MM.600N	1,000
010.1841	SUPPORTO FEMMINA X MOLLA A GAS	SPRING FEMALE SUPPORT	2,000
010.2361	ASTA SUPPORTO REGOLABILE PROTEZIONEMOBILE	ADJUST.MOV.PROTEC.ROD SUP.	1,000
010.3723	PERNO DI SNODO BARRA DI PROT.	PIN FOR ARTICULATED PROTE. BAR	1,000
010.4581	PROTEZIONE LATERALE MOBILE	SIDE MOV.PROTEC.	1,000
010.4585	PROTEZIONE LATERALE SH 332	SIDE PROTEC.	1,000
010.4583	PROTEZIONE POSTERIORE FISSA	REAR FIX PROTEC.	1,000
010.4586	PROTEZIONE POSTERIORE	REAR PROTEC.	1,000
010.4707	SUPPORTO PROTEZIONE POSTERIORE	REAR PROTEC.SUP.	1,000
010.4709	SUPPORTO PROT. LATERALE	SIDE PROTEC.SUP.	1,000
010.7204	DADO M8	M8 SCREW NUT	1,000
010.7206	DADO M12	M12 SCREW NUT	9,000
010.7233	DADO AUTOBLOCCANTE M16	M16 SELF-LOCKING SCREW NUT	1,000
010.7830	VITE BUTON 5 X 10	5 X 10 BUTON SCREW	3,000
010.7965	VITE TE 8 X 35	TE 8 X 35 SCREW	1,000
010.8919	VITE TE 12 X 70	12 X 70 TE SCREW	9,000
016.0556	GUIDA PROT.POSTERIORE SX	REAR LEFT GUIDE PROTEC.	1,000
016.0557	GUIDA PROT.POSTERIORE DX	REAR RIGHT GUIDE PROTEC.	1,000
016.1252	PIASTRINO PROTEZ.POSTERIORE	REAR PROTEC.PLATE	1,000
016.1253	PIASTRINO PROTEZ.ANTERIORE	FRONT PROTEC.PLATE	1,000
016.1537	PARASCHIZZI LATERALE	SIDE SPLASH GUARD	1,000
016.2701	STAFFA PROT. POSTERIORE SH NC-EVO	REAR PROTEC.BRACKET SH NC-EVO	1,000
016.2702	STAFFA SINISTRA	LEFT BRACKET	1,000
016.2703	STAFFA DESTRA	RIGHT BRACKET	1,000
016.3362	CARTER SENSORE RFID PROTEZ. LATERALE		1,000
016.3614	STAFFA FISSAGGIO SENSORE RFID PROTEZ.		1,000
019.5370	FASCETTA LEGRAND ART.31900	LEGRAND CLAMP ART.31900	2,000
022.3941	FINECORSIA MODULARE A PISTONCINOCON ROTELLA NB B020BB-SMK	PREWIRED LIMITSWITCH NB B020BB-DMK	2,000
022.4008	SENSORE DI SICUREZZA RFID ST DD420MK-D1T	SAFETY SENSORS WITH RFID TECHNOLOGY	1,000
034.0092	PROTEZIONE LEXAN PICCOLA X PROT. MACCHINA SH NC-EVO	LEXAN SMALL GUARD FOR MACCHINE PROTEC.SH	1,000
034.1110	VOLANTINO O 30 M6 X 10 POS. 105	O 30 M6 X 10 HANDWHEEL	1,000
034.1112	VOLANTINO O 40M8 X PIEDISTALLO SH-CB 330	O 40 M8 HANDWHEEL X STEEL BASE SH	1,000