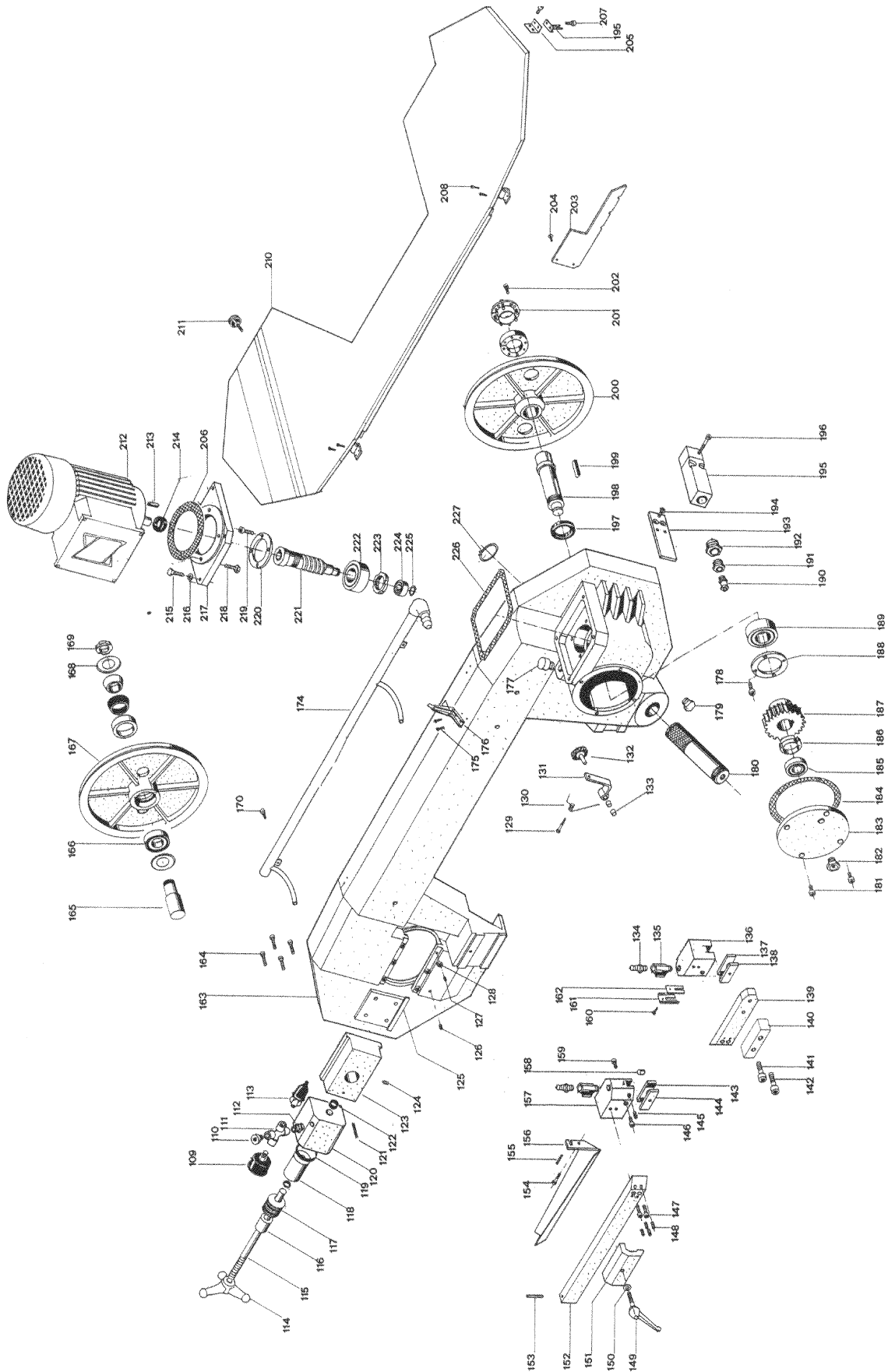


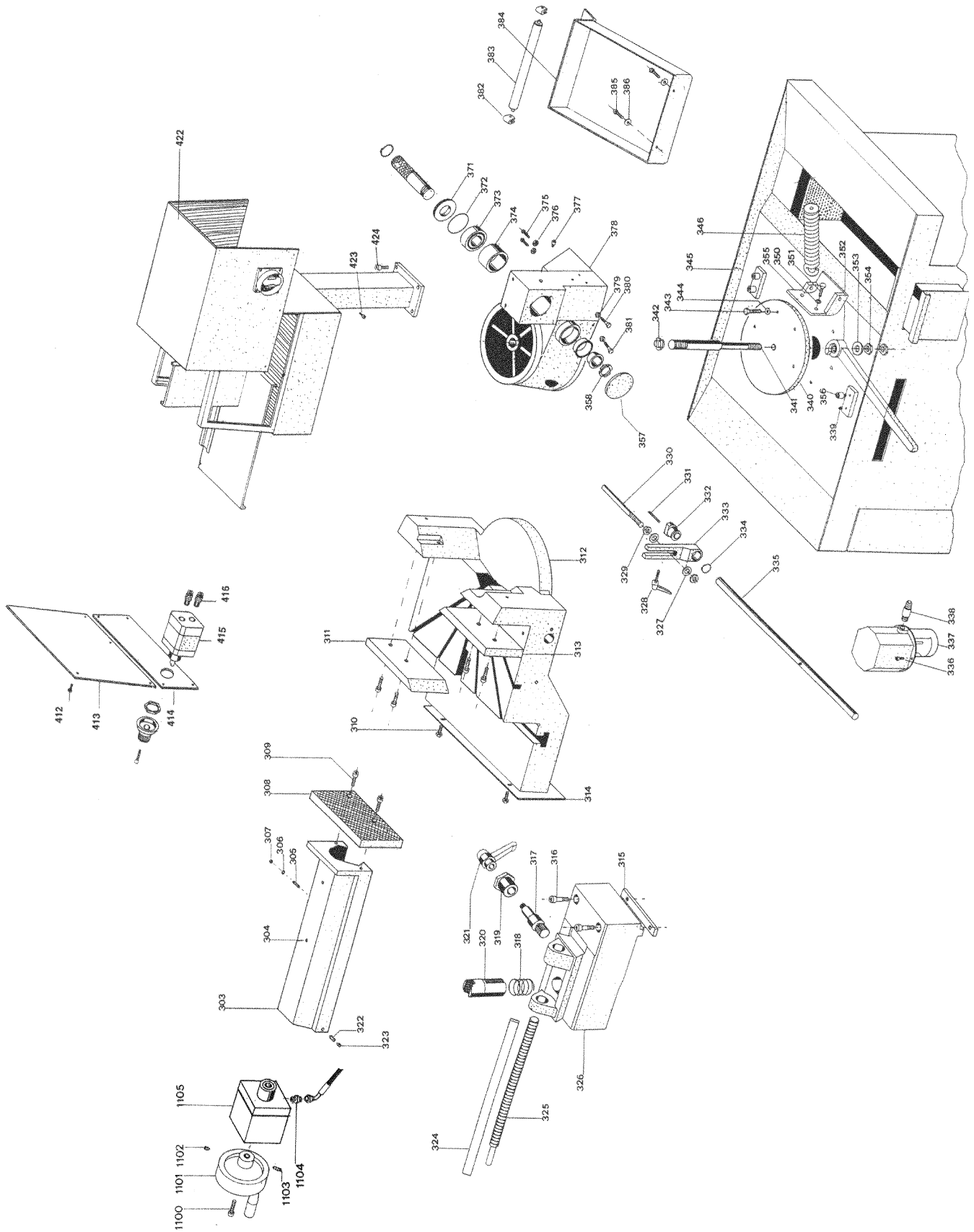
5.2 - Exploded views

This part of the manual contains the exploded views of the SHARK 280 SXI which will assist in gaining a thorough knowledge of the machine.

5.2.1 - Cutting head



5.2.2 - Base unit



5.2.3 - Hydraulic unit

