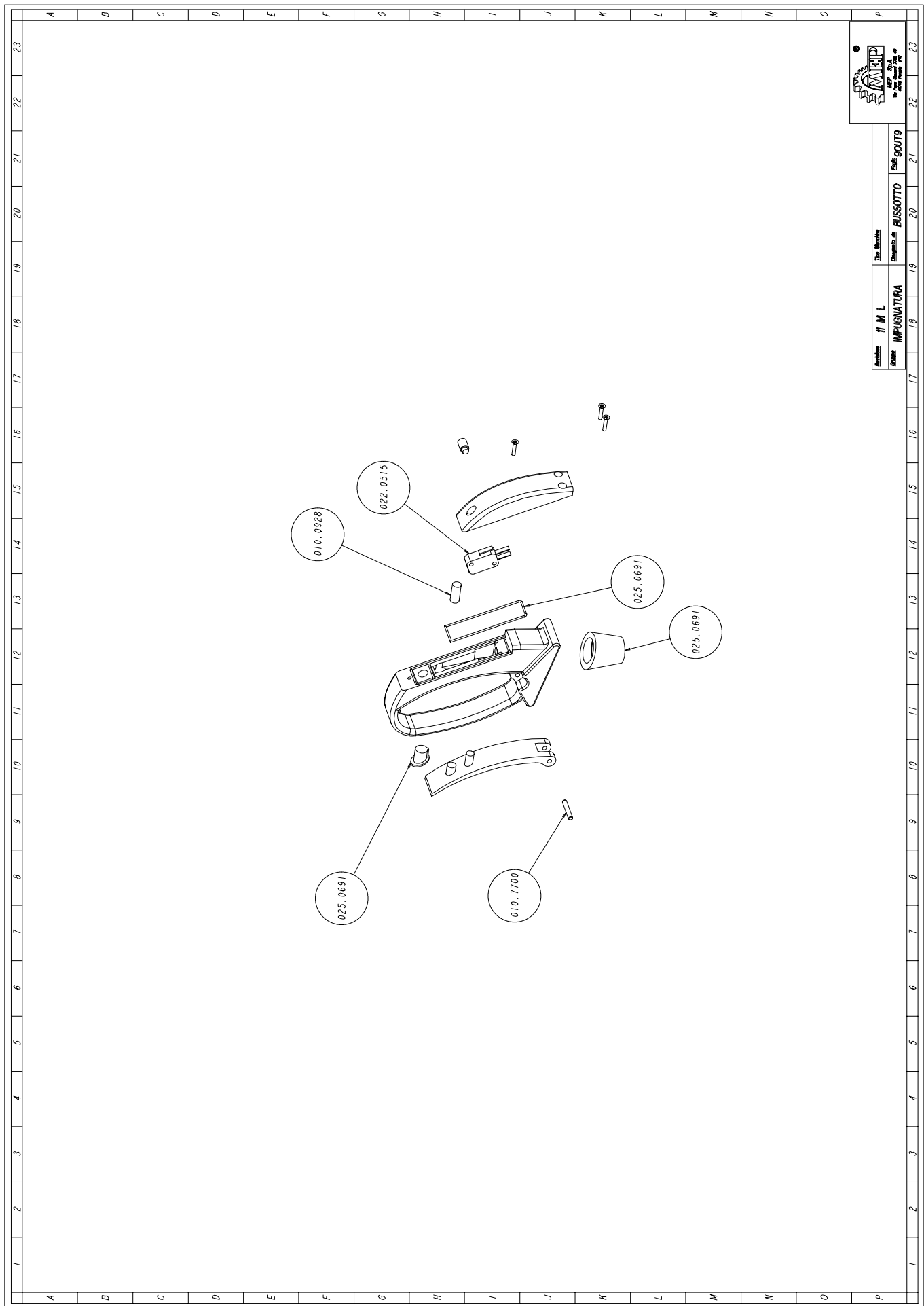
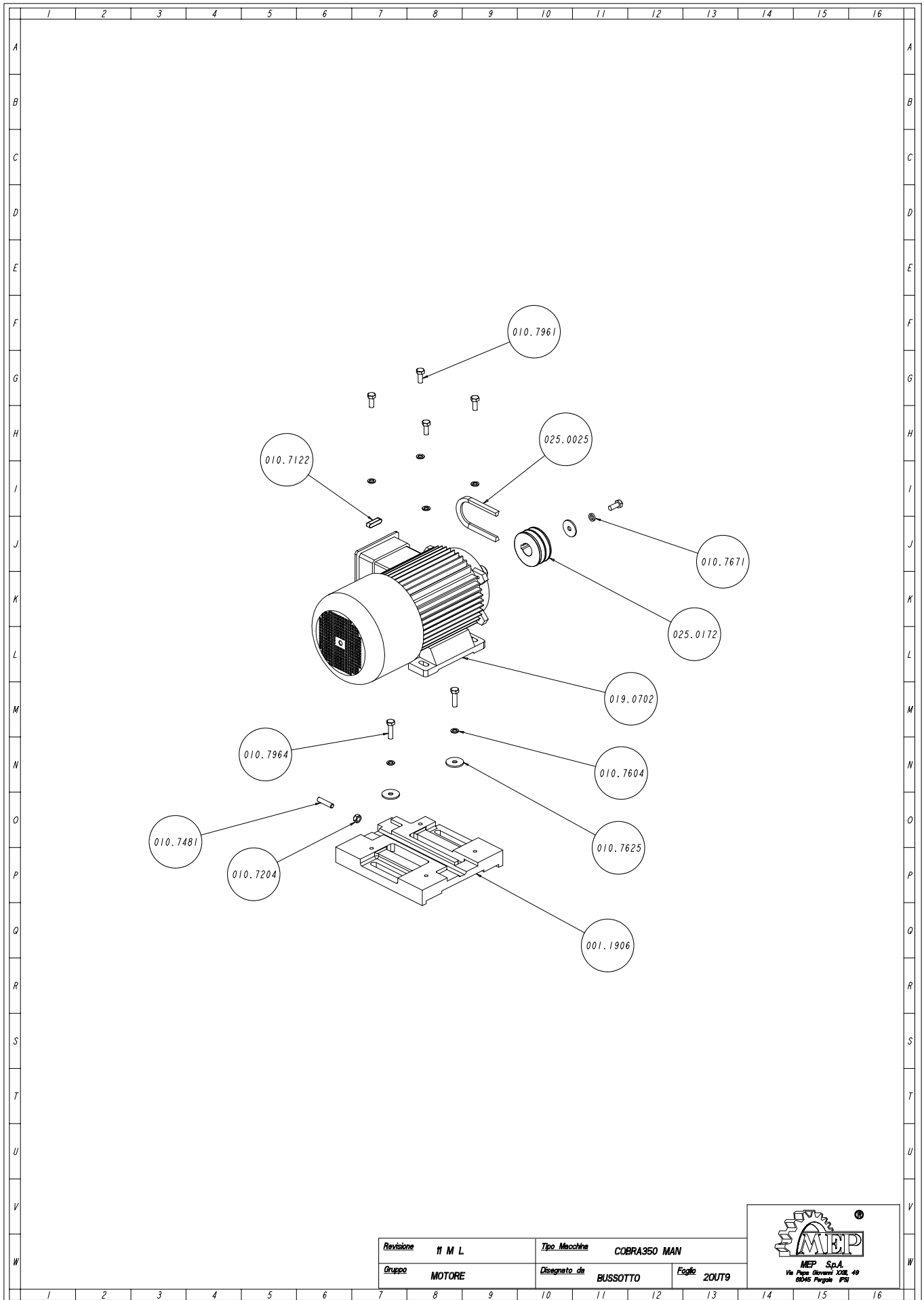


5.2.2 - Handgreep voor bediening Hoofd eenheid



Revizija	11	M	L	The Machine	
Grupa	IMPIGNATURA		Elementi di	BUSSOTTO	File 90079

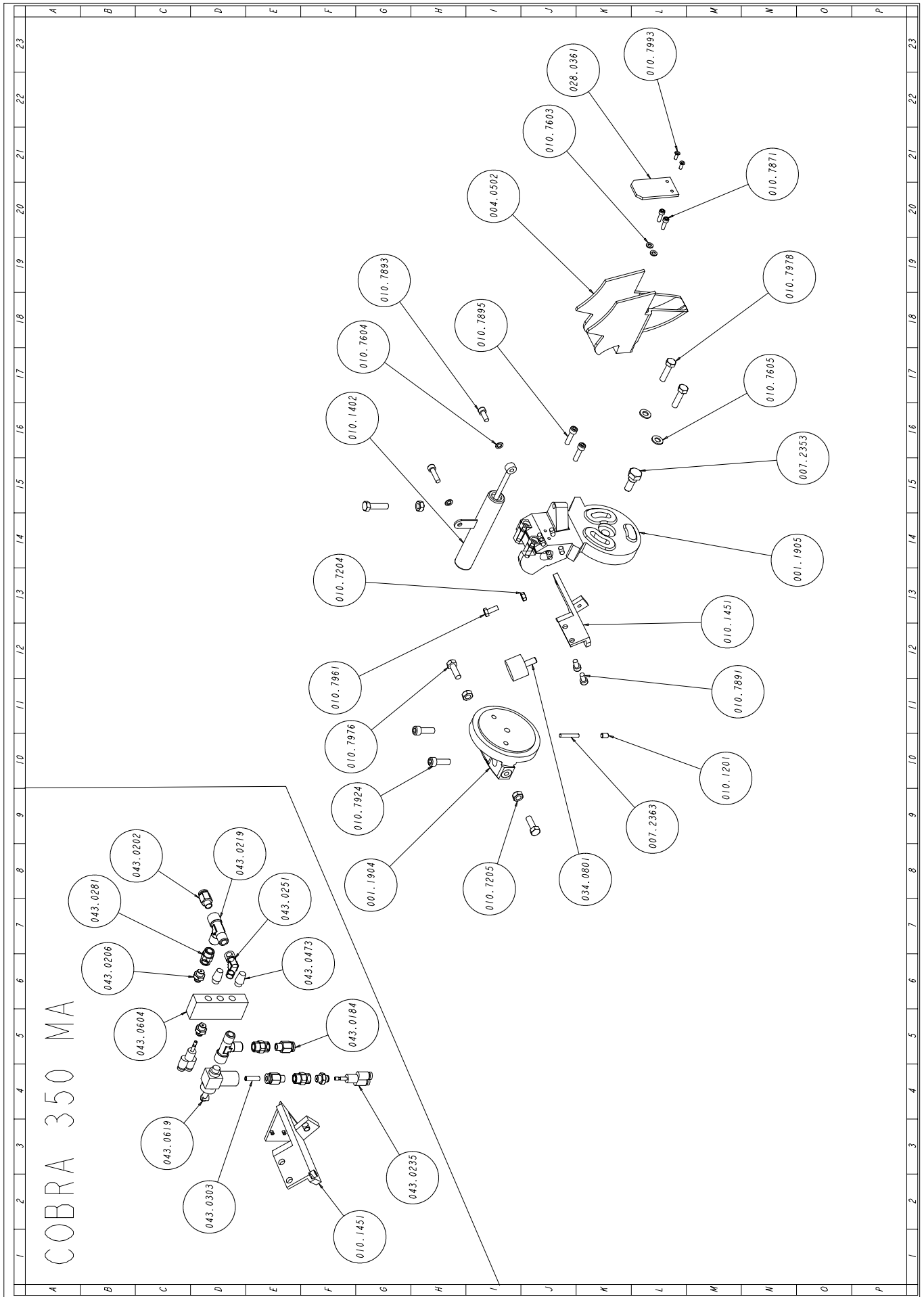
5.2.3 - Motor Eenheid



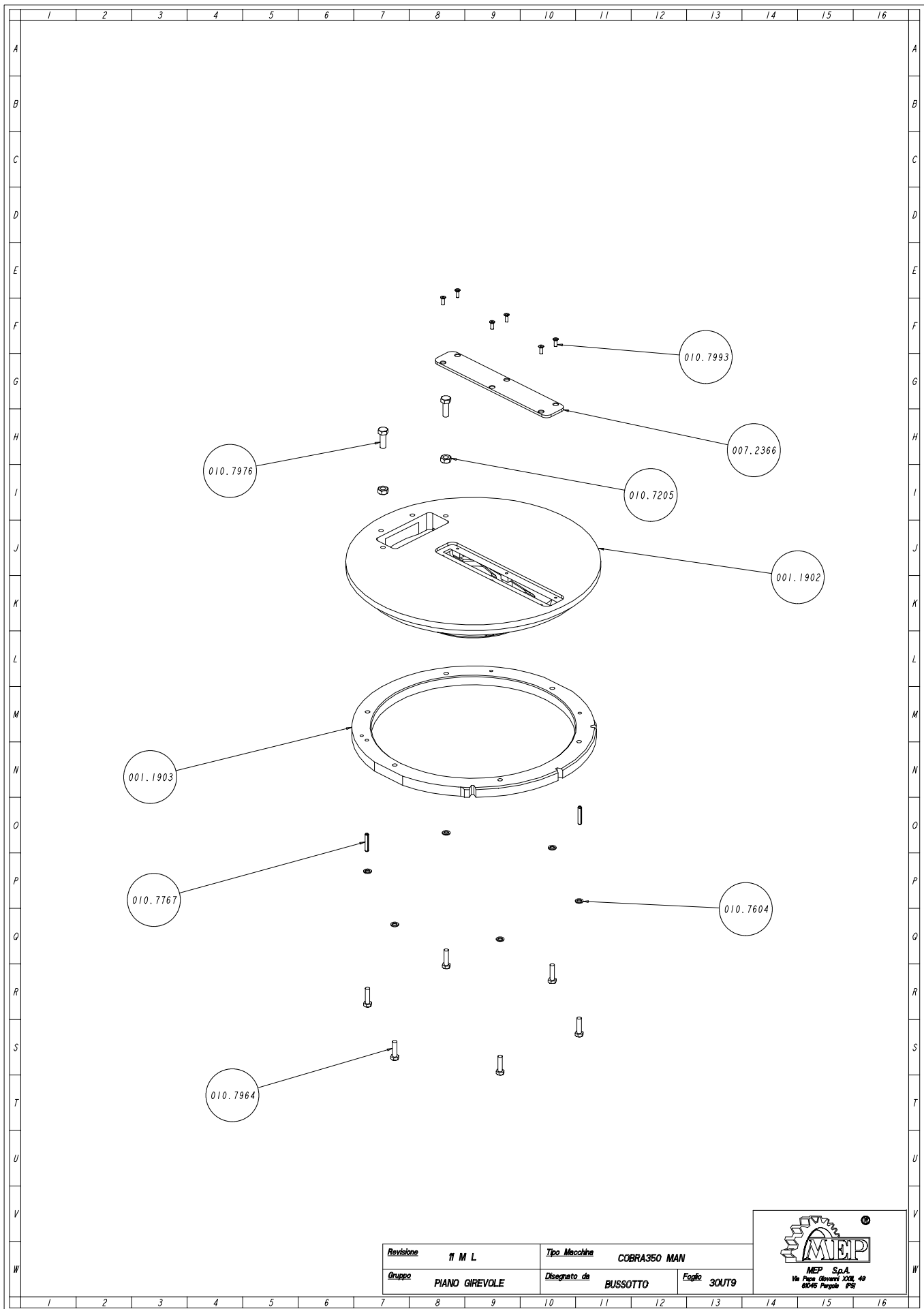
Reserve onderdelen

Code	Description	U.M.	Q.ty
001.1901	BASE CB 350 MOD.301	NR	1,000
001.1914	VICE BACK STOP CB 350 MOD.313	NR	1,000
007.1282	CUT TO MEASURE ROD FC-CB-SH 200	NR	1,000
007.2152	VICE SLEEVE SUPPORT CB 349/350	NR	2,000
007.2162	VICE JAW CB 349/350	NR	2,000
007.2165	VICE JAW SUPPORT CB 349/350	NR	2,000
007.2166	VICE SLEEVE SUPPORT CB SX-AX-CNC	NR	2,000
007.2169	JAW LOCKING PIN CB 349/350	NR	2,000
007.2179	HEAD LOCKING SYSTEM CB 350 D	NR	1,000
007.2357	ECCENTRIC CB 350	NR	1,000
007.2358	PIN CB 350	NR	1,000
007.2362	LOCKING PIN CB 350	NR	1,000
007.2369	38X8 ADDITIONAL FIXED JAW CB 350	NR	1,000
007.2370	38X8 ADDITIONAL MOBILE JAW CB 350	NR	2,000
007.2371	50X8 ADDITIONAL FIXED JAW CB 350	NR	1,000
007.2372	50X8 ADDITIONAL MOBILE JAW CB 350	NR	2,000
010.0302	SCREW 22X22 M12X80 CB 349-350	NR	2,000
010.0303	SCREW 22X22 M12X95 CB 350 AX-CNCFE	NR	2,000
010.0801	ROLLER 304011 0 24 CB-TI-FC	NR	1,000
010.0802	ROLLER SUPPORT CB-TI-FC	NR	2,000
010.0902	HEAD FIXED POINT SPRING	NR	1,000
010.1821	ZINC MALE BOLT M 8 FC-CB	NR	4,000
010.7218	M8 LOW SCREW NUT	NR	2,000
010.7221	M16 LOW SCREW NUT	NR	1,000
010.7410	8 X 16 CYLIND.POINT VCE GRUB SCREW	NR	3,000
010.7450	6 X 6 CYLINDRICAL POINT VCE GRUB	NR	2,000
010.7456	8 X 16 CONICAL POINT VCE GRUB SCREW	NR	2,000
010.7460	8 X 12 CONICAL POINT VCE GRUB SCREW	NR	2,000
010.7603	0 6 WASHER	NR	3,000
010.7604	0 8 WASHER	NR	2,000
010.7605	0 10 WASHER	NR	2,000
010.7625	0 8 X 32 WASHER	NR	2,000
010.7671	THICKNESS WASHER DIAM. 8 X 3	NR	4,000
010.7759	ELASTIC PIN DIAM. 3 X 16	NR	1,000
010.7766	ELASTIC PIN DIAM. 6 X 30	NR	2,000
010.7859	TCEI 5 X 12 SCREW	NR	10,000
010.7870	TCEI 6 X 16 SCREW	NR	3,000
010.7893	TCEI 8 X 20 SCREW	NR	2,000
010.7924	TCEI 10 X 30 SCREW	NR	4,000
010.7961	TE 8 X 20 SCREW	NR	4,000
016.1030	BAR SUPPORT ARM SC 315-CB	NR	1,000
025.0452	ROLLERS 6X6 AISI 420	NR	219,000
034.0101	LARGE CUT TO MEASURE STOP	NR	1,000
034.0208	M20X70 SMALL VICE HANDWHEEL CB350-450	NR	2,000
034.1003	LEVER 12 MA	NR	2,000
034.1105	HANDWHEEL CB 350	NR	1,000
034.1111	O 30 M10 X 40 HANDWHEEL	NR	1,000
034.1203	MEP MADE HANDWHEEL M10	NR	1,000
043.0038	CYLINDER 20 M CB 330-350-450	NR	2,000
043.0043	VICE CYLINDER 0 50 CB AX-CNC	NR	2,000
043.0199	4X1/8 TURNING ELBOW JOINT	NR	4,000

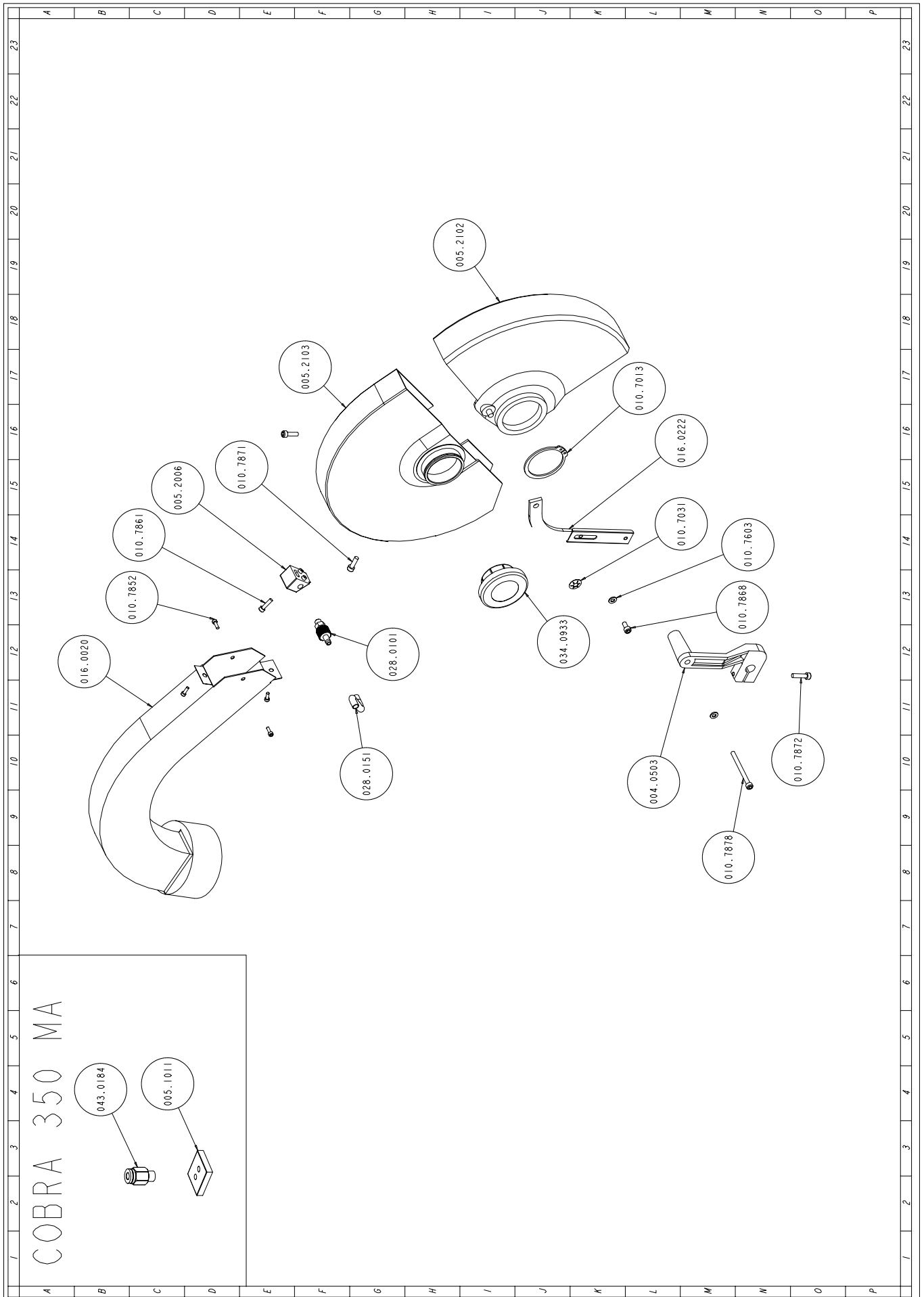
5.2.5 - Ondersteuning kippunt hoofd



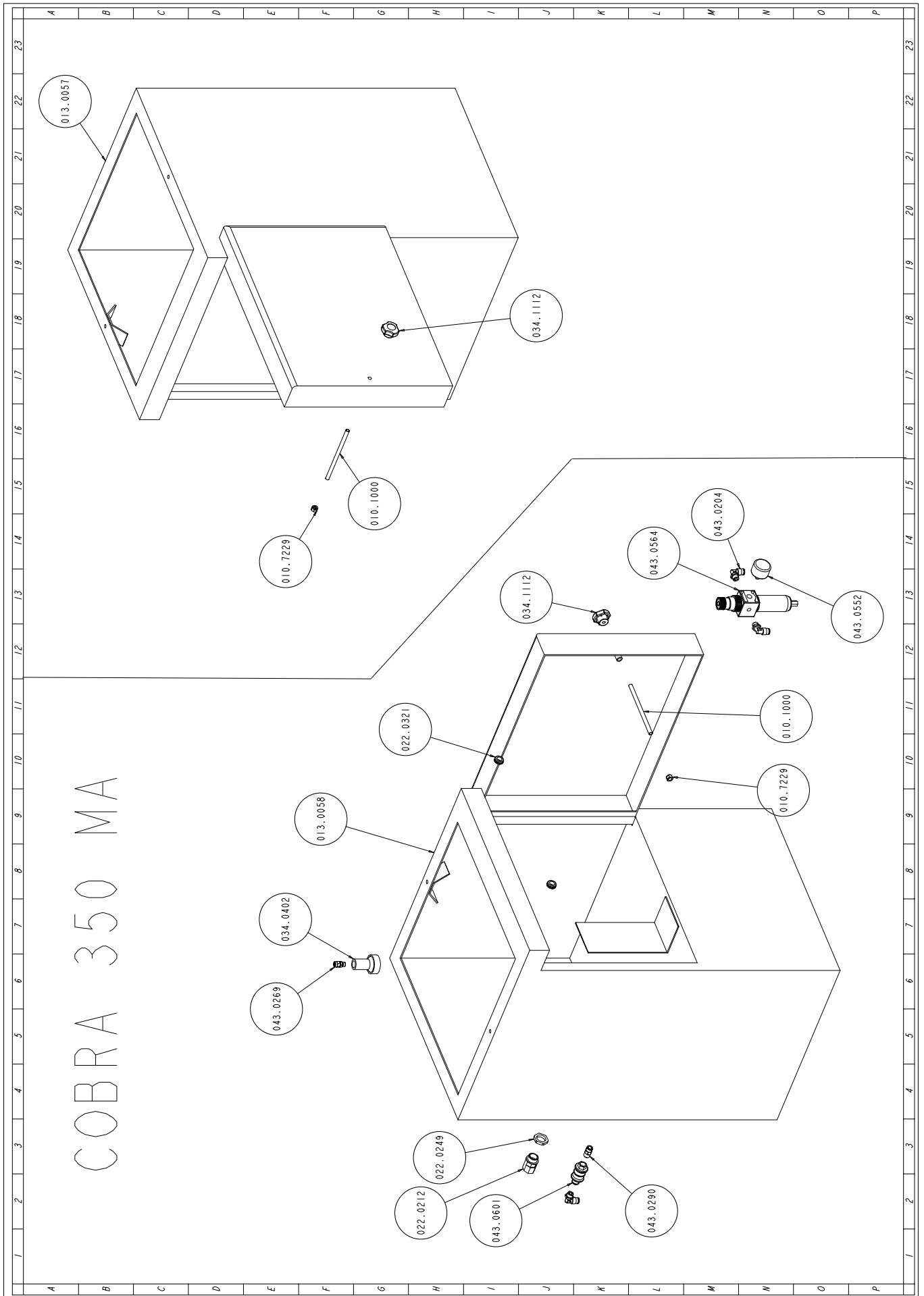
5.2.6 - Groep draaitafel



5.2.7 - Eenheid ter Afdekking Zaagblad



5.2.8 - Basis Eenheid



5.2.9 - Bedienveld Eenheid

