

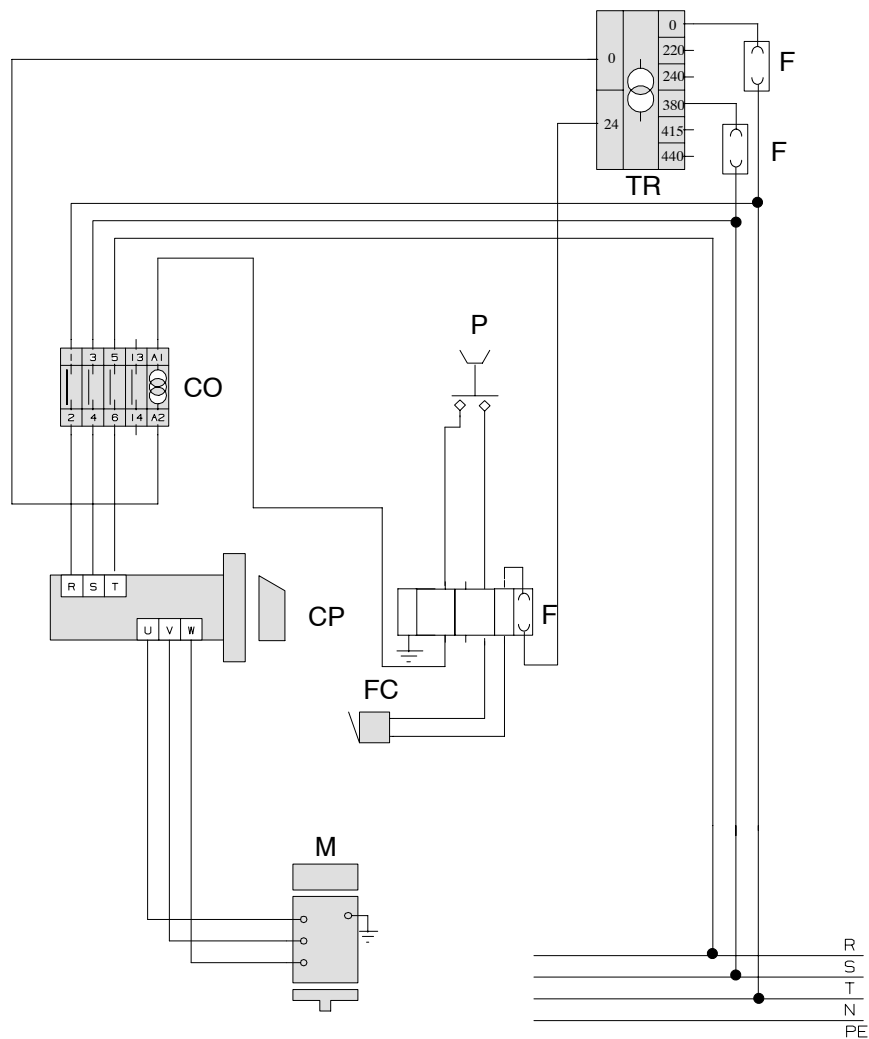
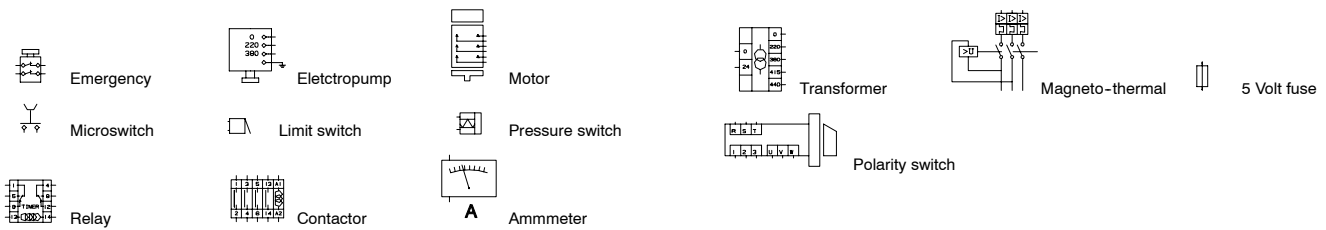
CHAPTER 5 - Diagrams, exploded views and spare parts

This chapter contains functional diagrams of the machine and exploded views of the COBRA 330. This document will allow you to identify the location of the various components making up the machine, thus enabling repairs and/or maintenance work to be carried out. In addition, this document will also enable you to order spare parts, correctly identifying them by part number and position number.

5.1 - Diagrams

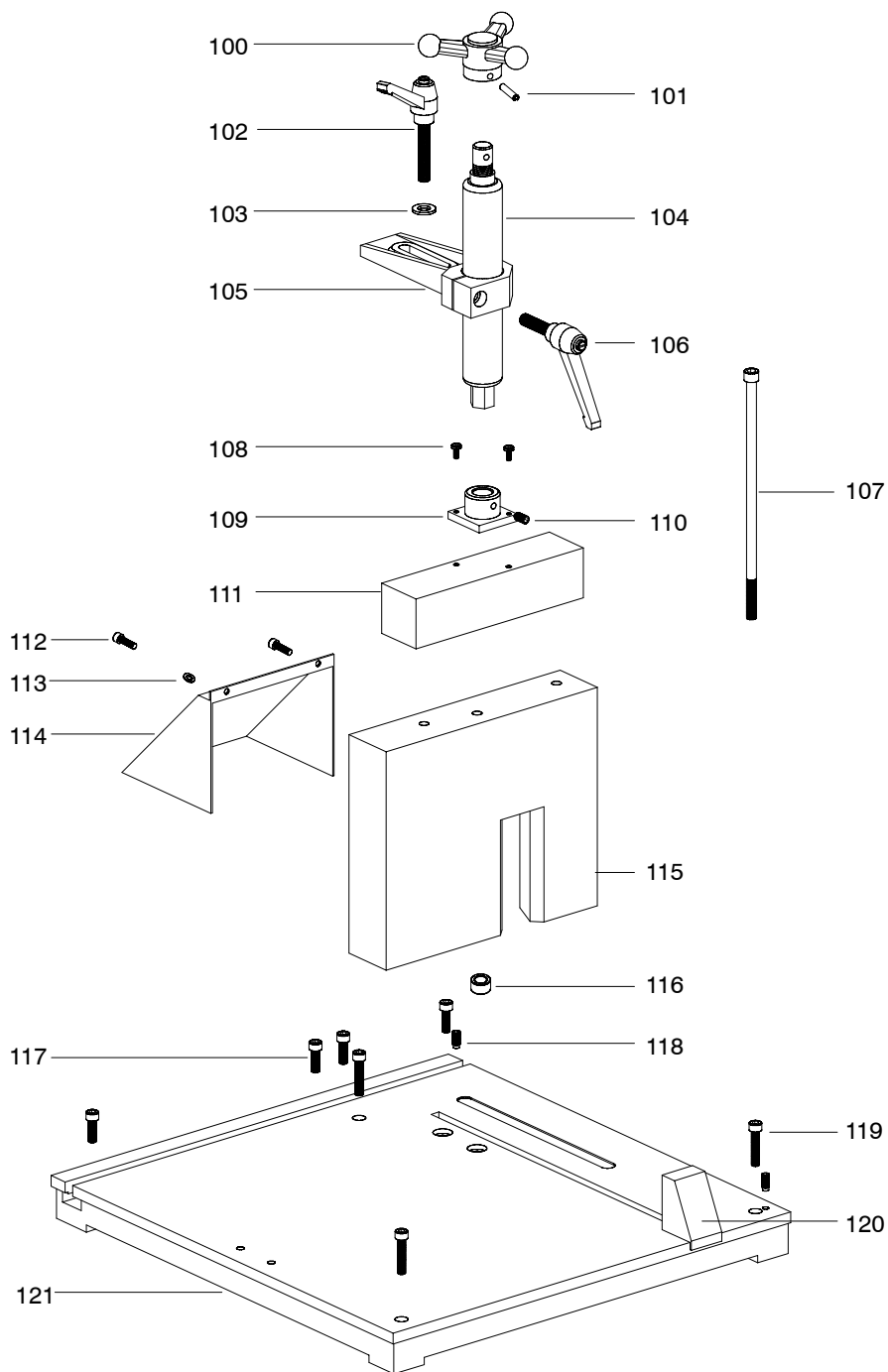
5.1.2 - Electrical system

KEY TO ELECTRICAL COMPONENTS

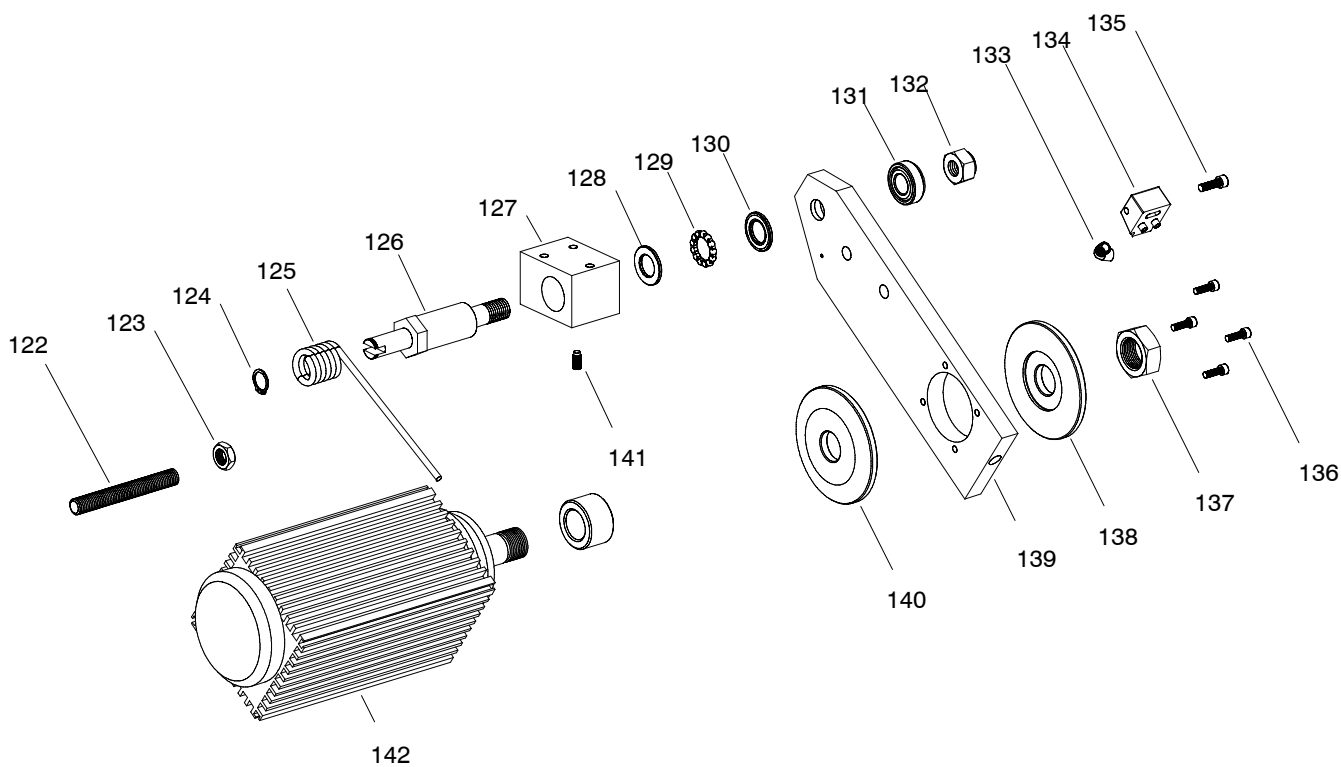


5.2 - Exploded views

This part of the manual contains the exploded views of the COBRA 330 which will assist in gaining a thorough knowledge of the machine.



Exploded views (continued)



Exploded views (continued)

